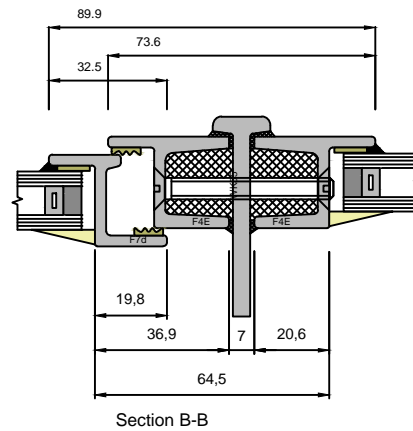
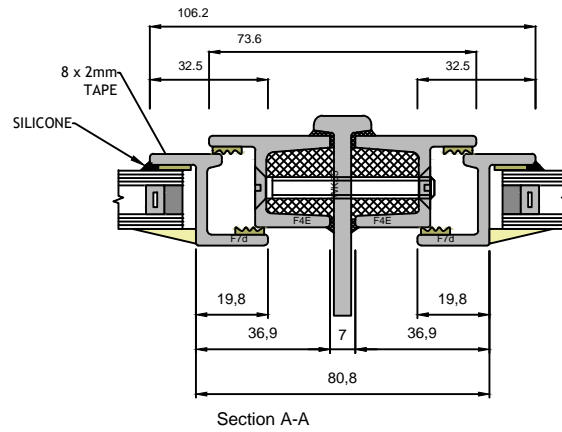
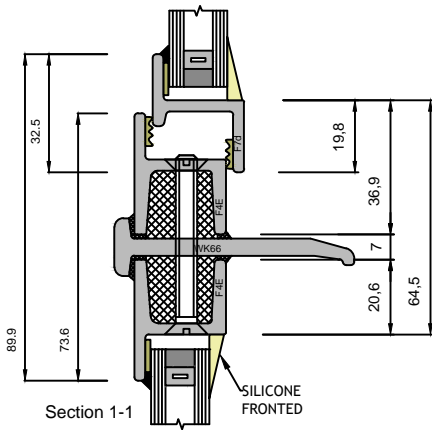
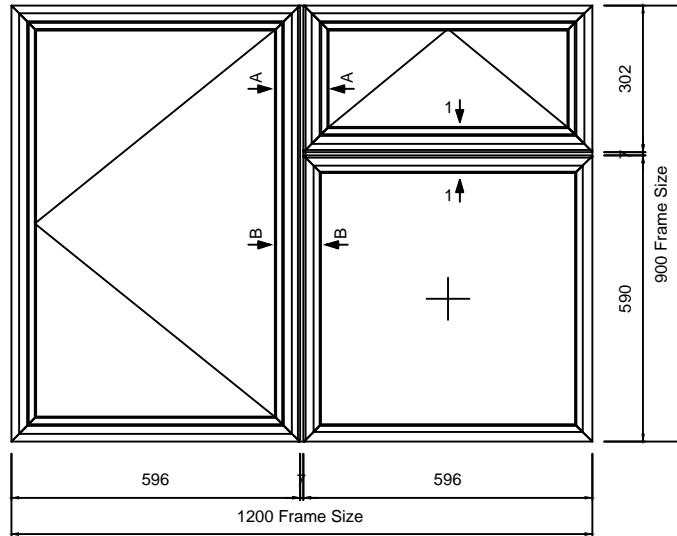


BROOKING COUPLING WINDOW SECTIONS



Copyright Reserved 2024,
Clement Windows Group Ltd
This product is protected by the provisions of the Copyright, Design & Patents Act 1988

EMAIL: info@clementwg.co.uk
WEBSITE: www.clementwindows.co.uk

DATE: 29/04/24

SCALE @ A4: 1:2 & 1:15

DETAILS SUBJECT TO CHANGE WITHOUT NOTICE

DRAWING TITLE:
BROOKING COUPLING DETAILS

CLIENT:

DRAWING No.
B06

REVISION:
A