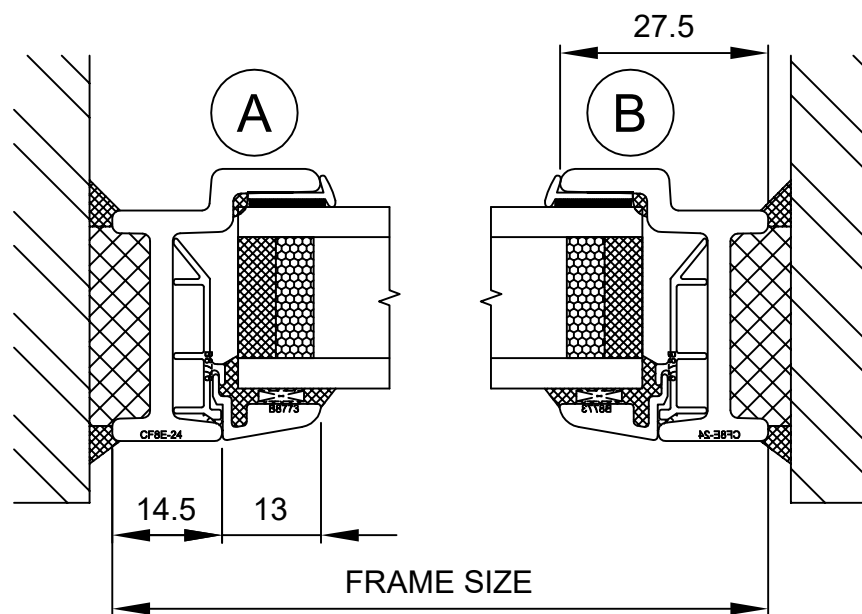
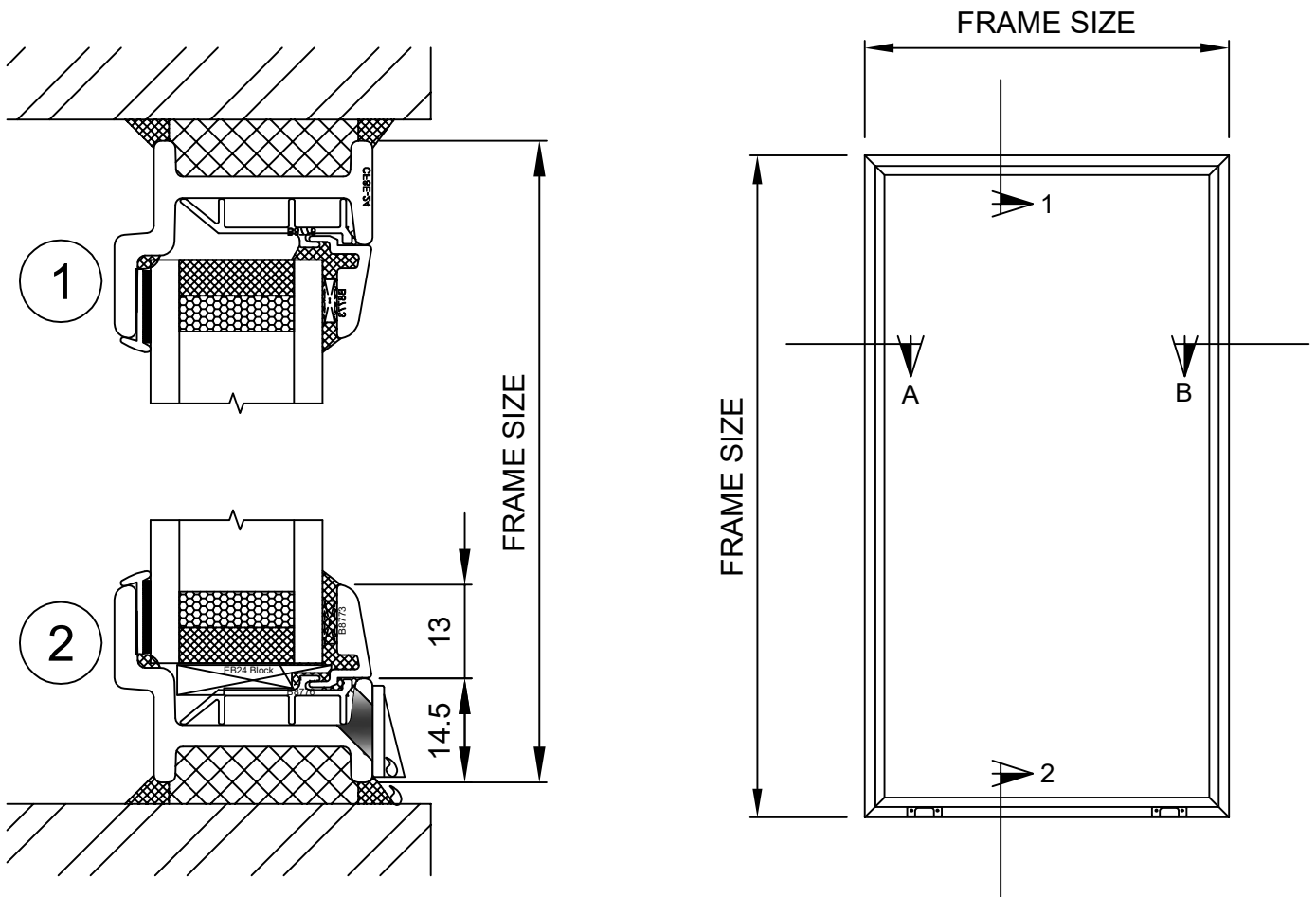


# EB24 'C' RATED EQUAL LEG WINDOW FIXED LIGHT SECTIONS

DOUBLE GLAZED UNIT SIZE = 24mm

WINDOW DEPTH = 36mm



**CLEMENT**

CLEMENT WINDOWS LTD  
CLEMENT HOUSE  
HASLEMERE, SURREY, GU27 1HR

Copyright Reserved 2014,  
CLEMENT WINDOWS LTD

This product is protected by the provisions of the Copyright, Design & Patents Act 1988

EMAIL: info@clementwg.co.uk  
WEBSITE: www.clementwindows.co.uk

DATE: 08/03/17

DRAWING TITLE

EB24 'C' EL FIXED LIGHT

CLIENT

DRAWING No.

EB04

REVISION