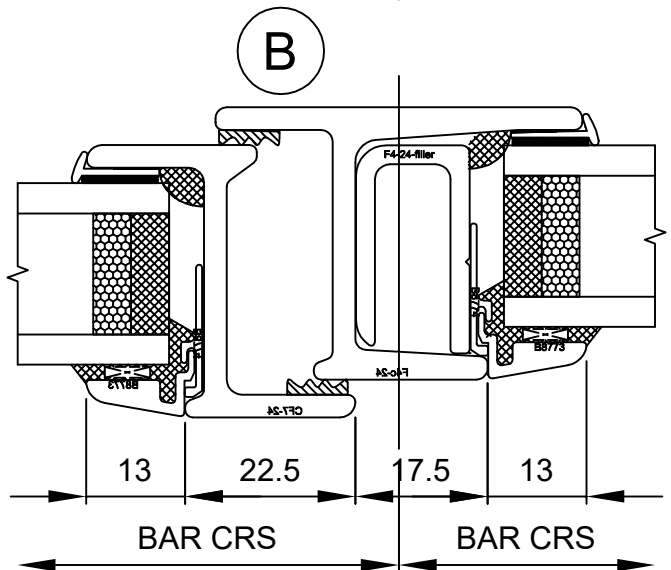
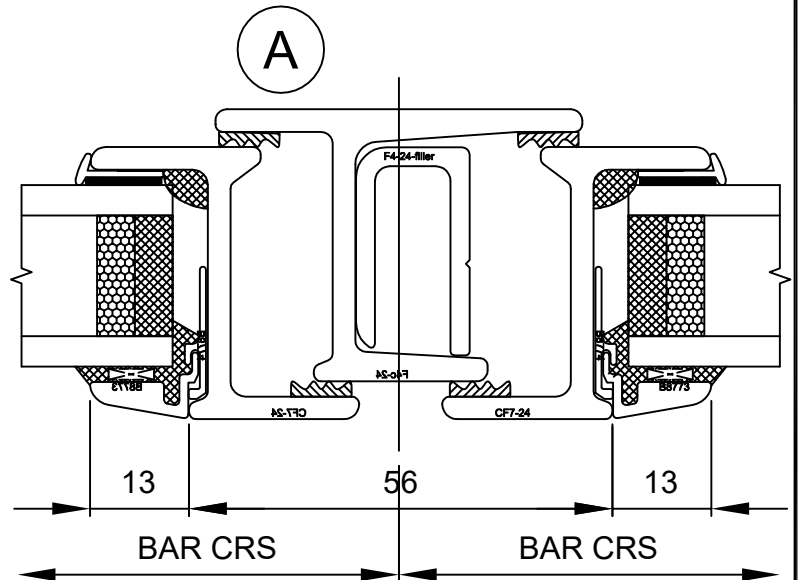
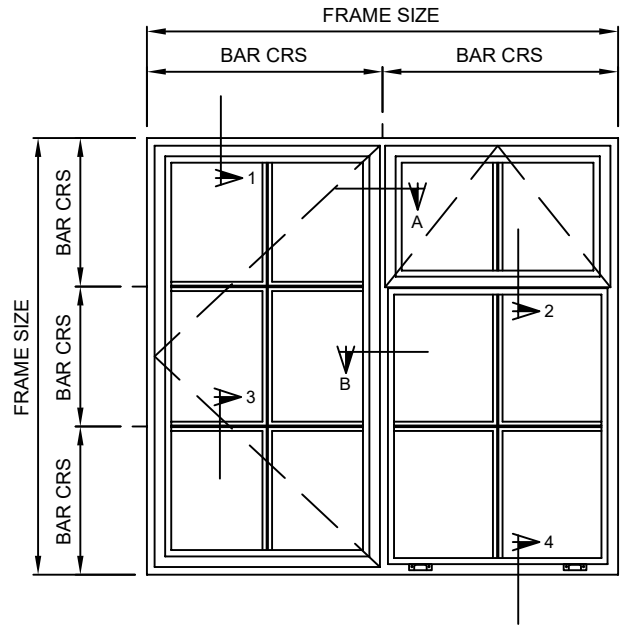
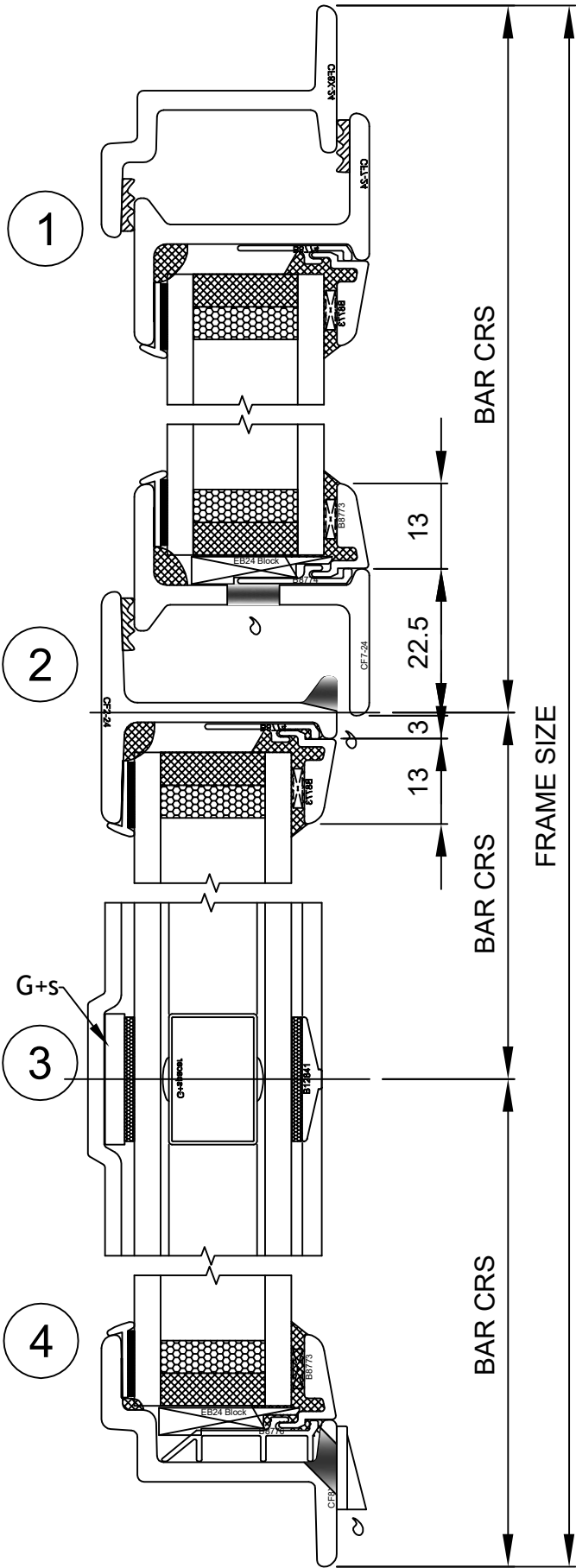


EB24 'C' RATED WITH G+s FENESTRA JOINT SYSTEM WINDOW CASEMENT NEXT TO TOP HUNG OVER FIXED LIGHT SECTIONS



G+s ALSO AVAILABLE WITH FLUSH JOINT

<p style="font-size: small; margin: 0;"><i>creating light...beautifully</i></p>	Copyright Reserved 2013. CLEMENT WINDOWS LTD This product is protected by the provisions of the Copyright, Design & Patents Act 1988	DRAWING TITLE: EB24 'C' G+s & MULLION DETAILS EB06	DRAWING No. EB06
	EMAIL: info@clementwg.co.uk WEBSITE: www.clementwindows.co.uk	DATE: 08/03/17 SCALE @ A4: 1:1 & 1:20	CLIENT: