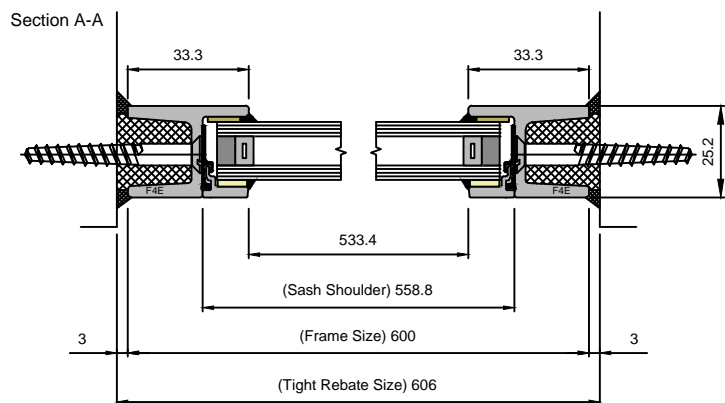
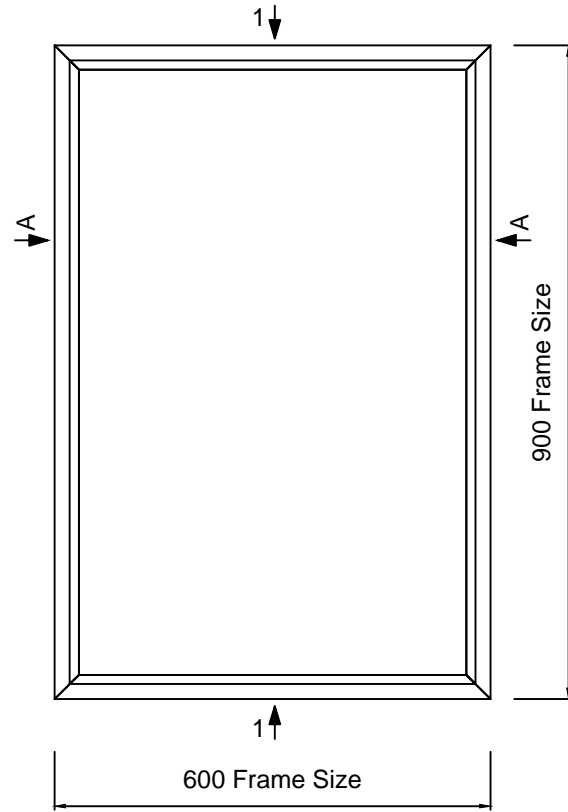
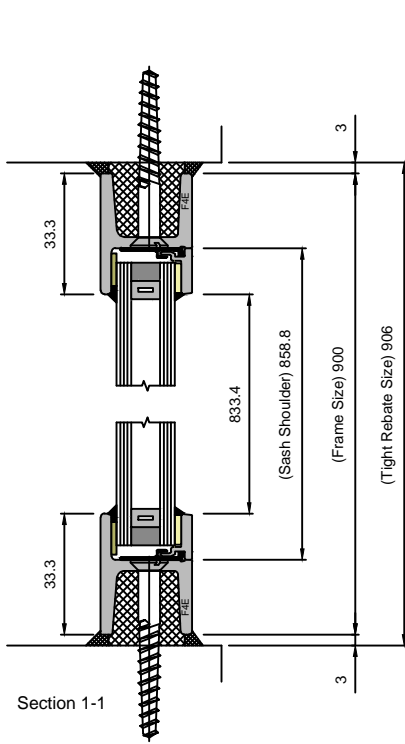


# EB16 EQUAL LEG WINDOW FIXED LIGHT SECTIONS

DOUBLE GLAZED UNIT SIZE = 16mm

WINDOW DEPTH = 25mm



**CLEMENT**  
*creating light...beautifully*

Copyright Reserved 2024,  
Clement Windows Group Ltd  
This product is protected by the provisions of the Copyright, Design & Patents Act 1988

EMAIL: [info@clementwg.co.uk](mailto:info@clementwg.co.uk)  
WEBSITE: [www.clementwindows.co.uk](http://www.clementwindows.co.uk)

DETAILS SUBJECT TO CHANGE WITHOUT NOTICE

DATE: 03/05/24

SCALE @ A4: 1:2 & 1:10

DRAWING TITLE:  
EB16 EL FIXED LIGHT

CLIENT:

DRAWING No.

E104

REVISION:

A