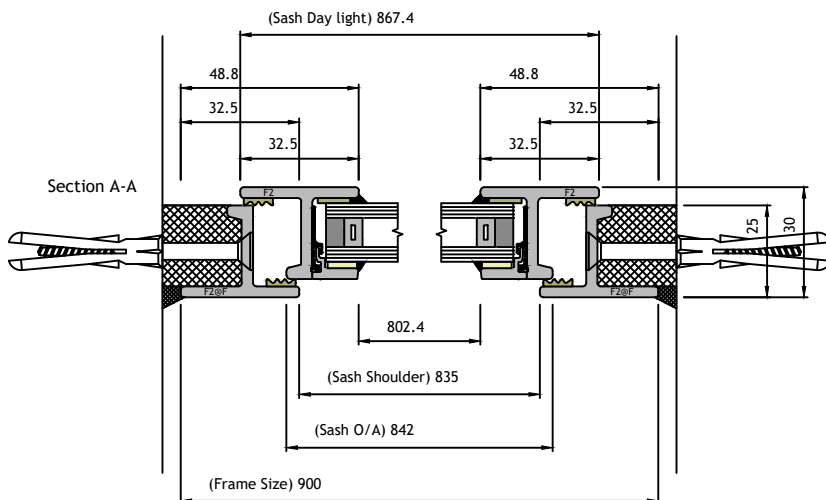
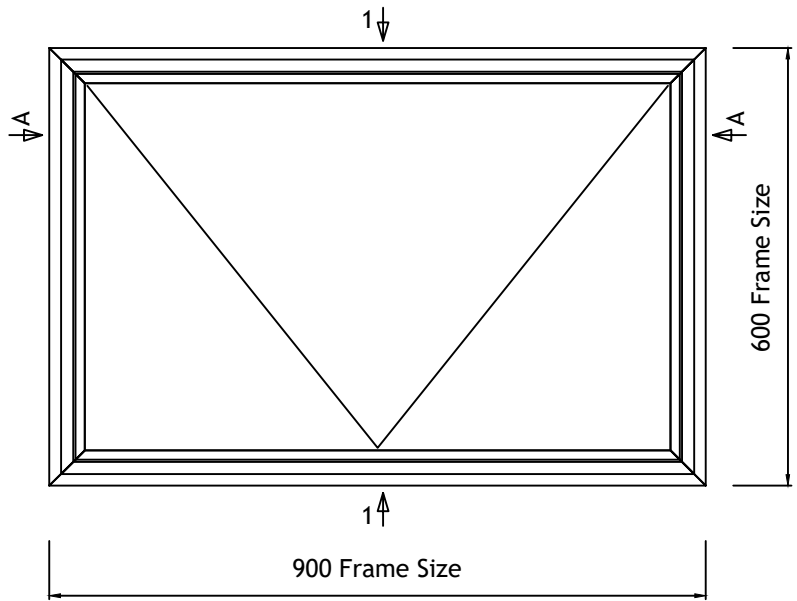
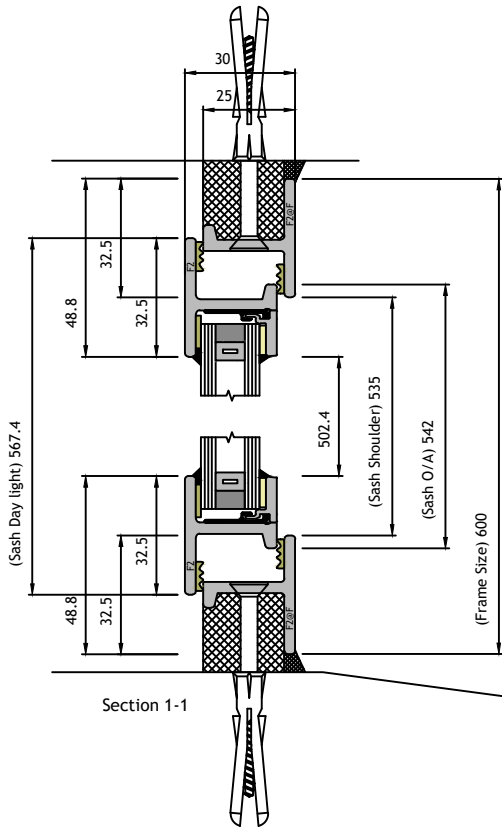


EB16 LONG LEG WINDOW CASEMENT SECTIONS

DOUBLE GLAZED UNIT SIZE = 16mm

WINDOW DEPTH = 30mm



Copyright Reserved 2024,
Clement Windows Group Ltd
This product is protected by the provisions of the Copyright, Design & Patents Act 1988

EMAIL: info@clementwg.co.uk
WEBSITE: www.clementwindows.co.uk

DATE: 03/05/24
SCALE @ A4: 1:2 & 1:10

DETAILS SUBJECT TO CHANGE WITHOUT NOTICE

DRAWING TITLE:
EB16 LL BH Casement

CLIENT:
-

DRAWING No.
E111

REVISION:
A