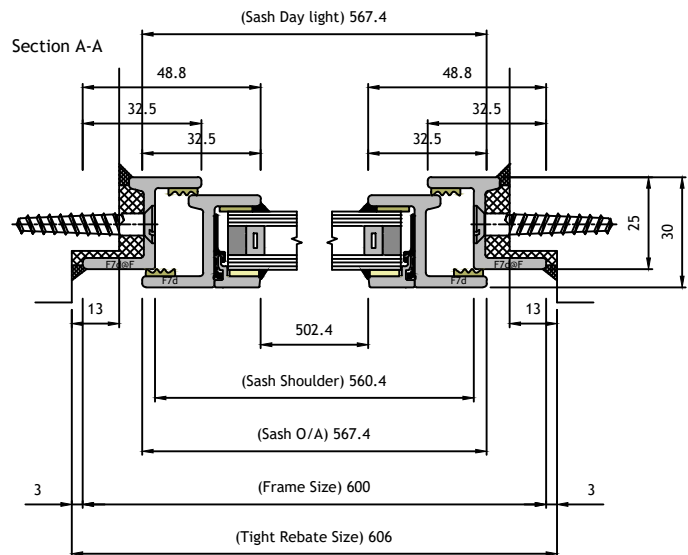
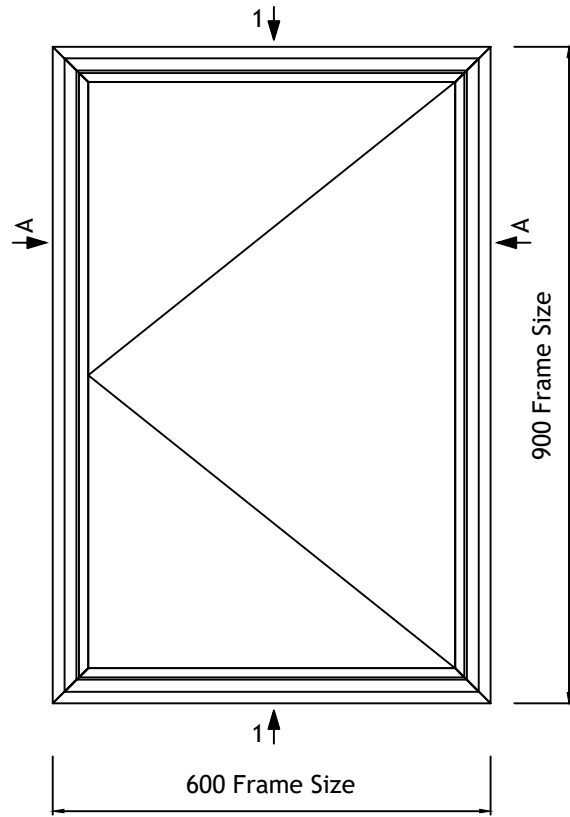
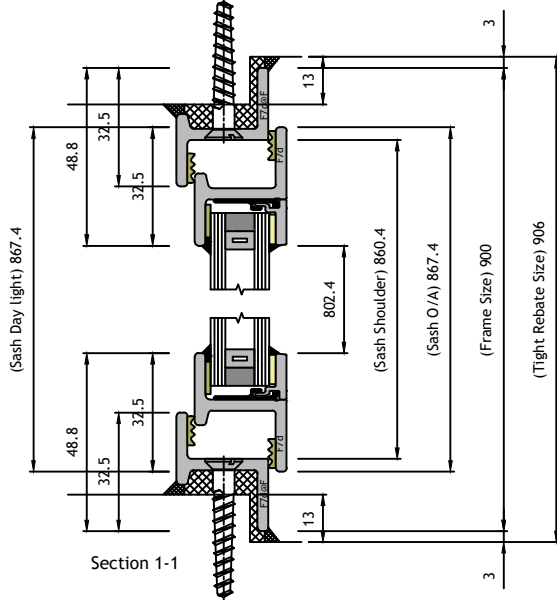


# EB16 LONG LEG WINDOW CASEMENT SECTIONS

DOUBLE GLAZED UNIT SIZE = 16mm

WINDOW DEPTH = 30mm



	Copyright Reserved 2024, Clement Windows Group Ltd This product is protected by the provisions of the Copyright, Design & Patents Act 1988		DRAWING TITLE: <b>EB16 LL Casement</b>	DRAWING No. <b>E101</b>
	EMAIL: info@clementwg.co.uk WEBSITE: www.clementwindows.co.uk DETAILS SUBJECT TO CHANGE WITHOUT NOTICE		DATE: 03/05/24 SCALE @ A4: 1:2 / 1:10	CLIENT: - REVISION: <b>A</b>