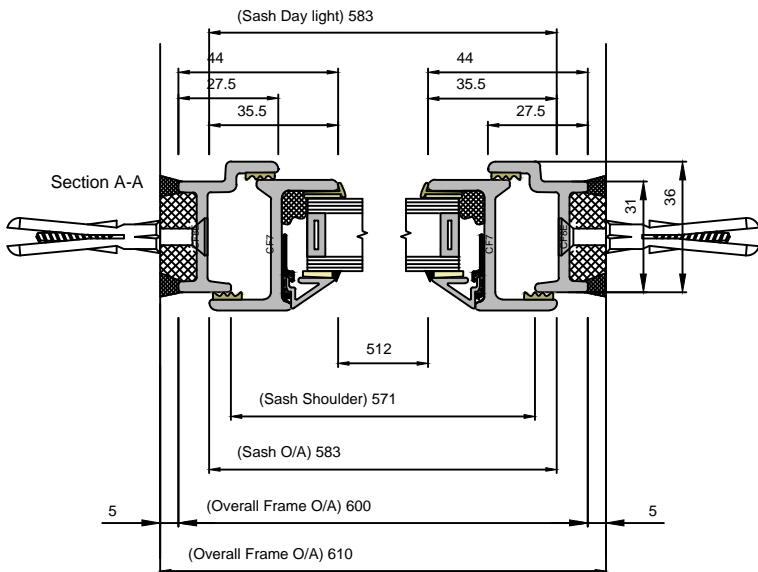
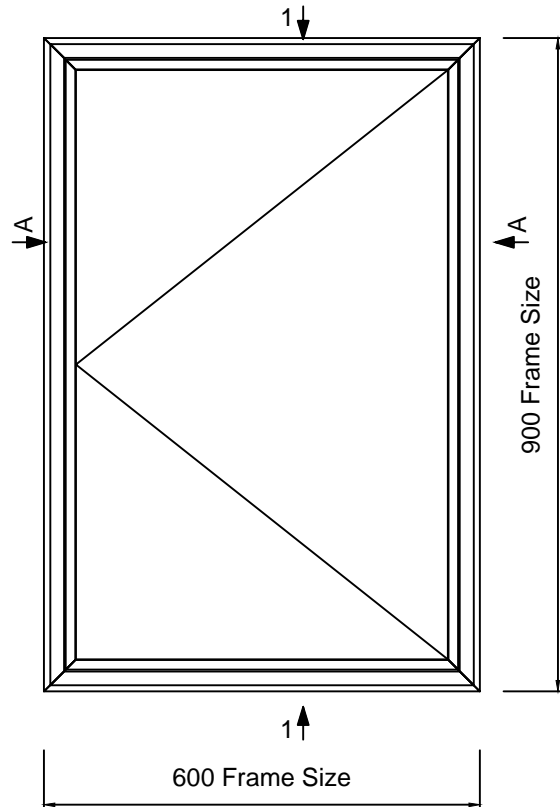
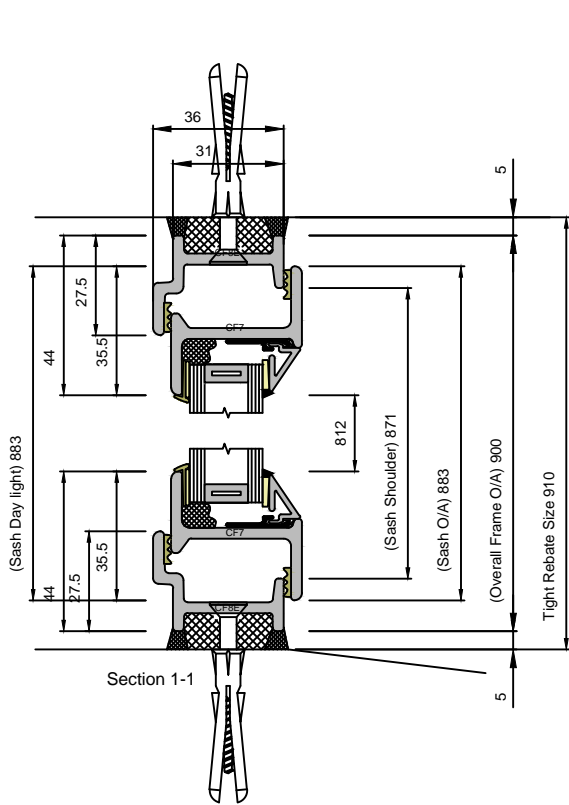


EB20 EQUAL LEG WINDOW CASEMENT SECTIONS

DOUBLE GLAZED UNIT SIZE = 20mm



CLEMENT®
creating light...beautifully

Copyright Reserved 2024,
Clement Windows Group Ltd
This product is protected by the provisions of the Copyright, Design & Patents Act 1988

EMAIL: info@clementwg.co.uk
WEBSITE: www.clementwindows.co.uk

DETAILS SUBJECT TO CHANGE WITHOUT NOTICE

DATE: 04/09/2023

SCALE @ A4: 1:2 & 1:10

DRAWING TITLE:
EB20 EL CASEMENT

CLIENT:

DRAWING No.

EB203

REVISION:

A