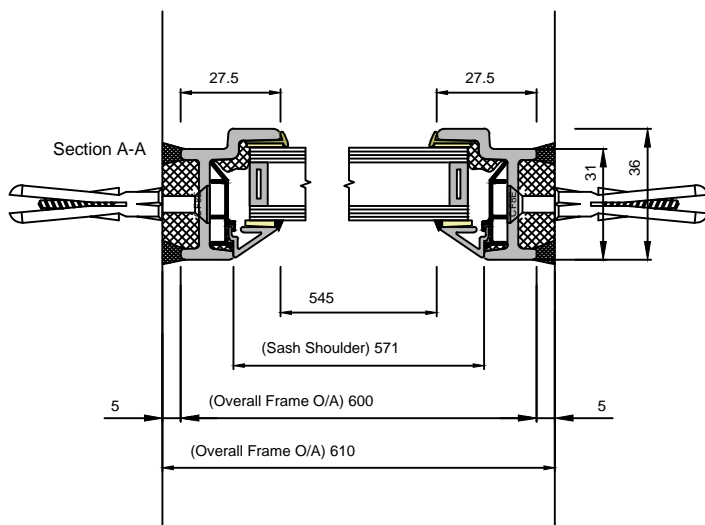
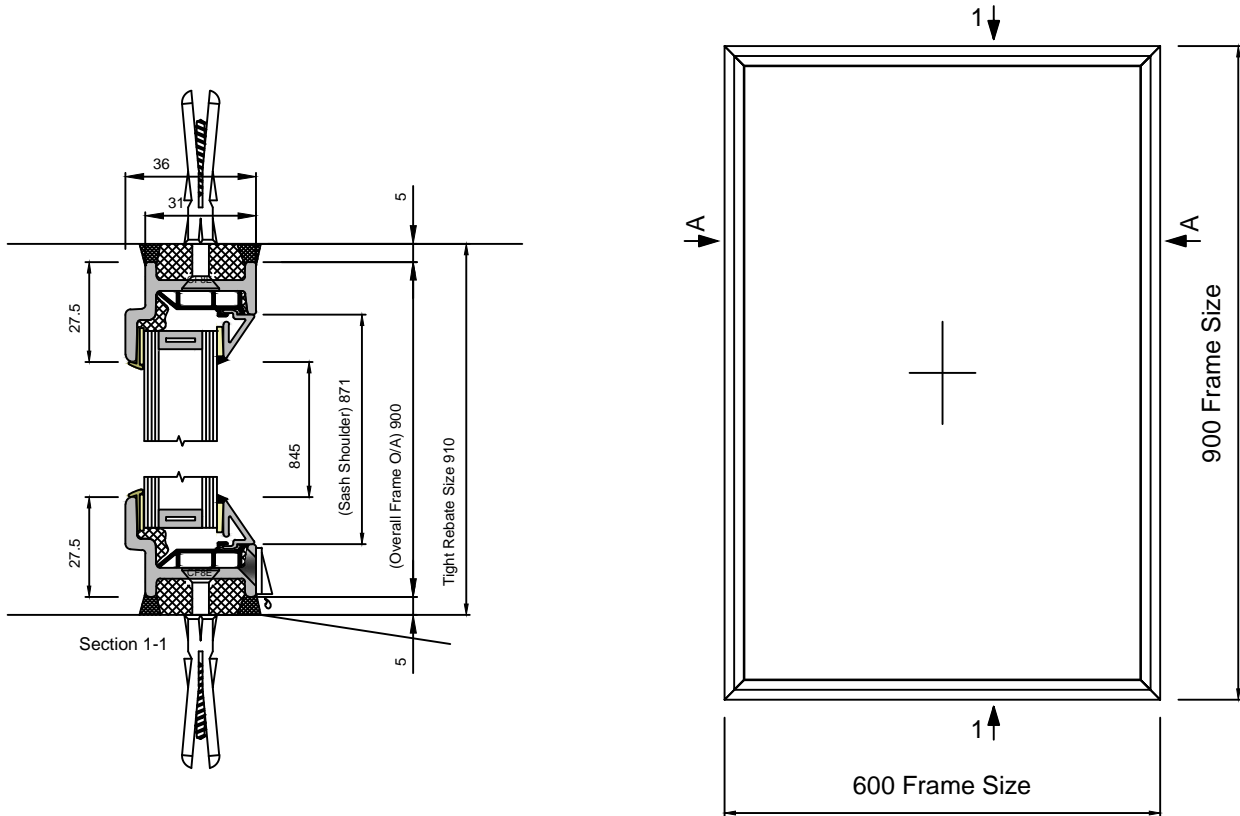


# EB20 EQUAL LEG WINDOW FIXED LIGHT SECTIONS

DOUBLE GLAZED UNIT SIZE = 20mm



Copyright Reserved 2024,  
Clement Windows Group Ltd  
This product is protected by the provisions of the Copyright, Design & Patents Act 1988  
EMAIL: [info@clementwg.co.uk](mailto:info@clementwg.co.uk)  
WEBSITE: [www.clementwindows.co.uk](http://www.clementwindows.co.uk)  
DATE: 05/09/2023  
SCALE @ A4: 1:2 & 1:10  
DETAILS SUBJECT TO CHANGE WITHOUT NOTICE

DRAWING TITLE:  
**EB20 EL FIXED LIGHT**  
CLIENT:

DRAWING No.  
**EB204**  
REVISION:  
**A**