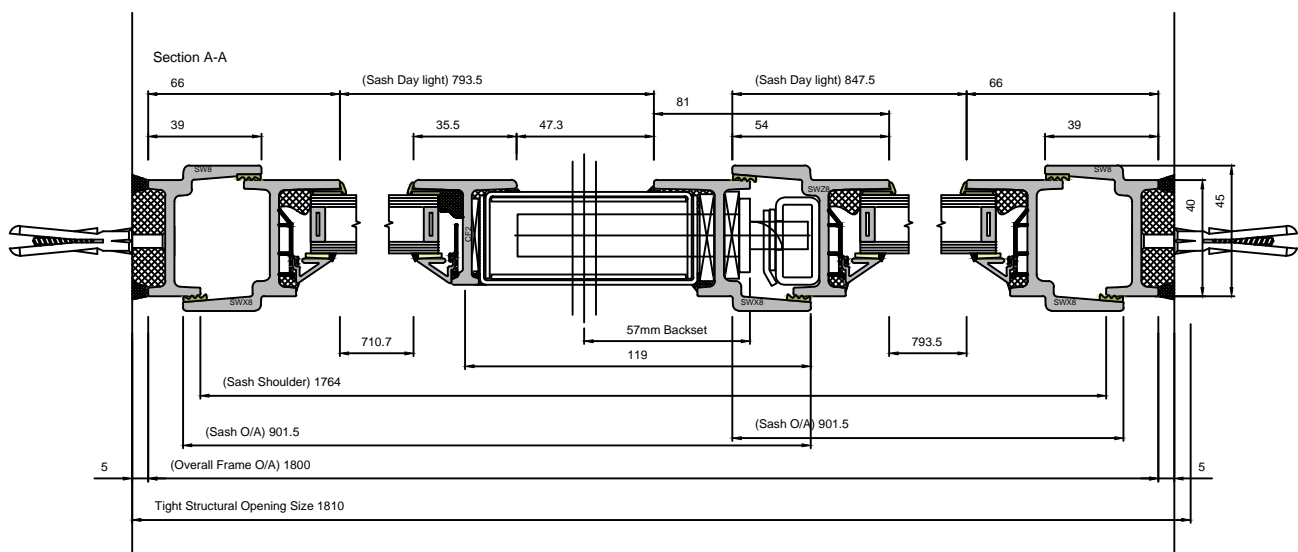
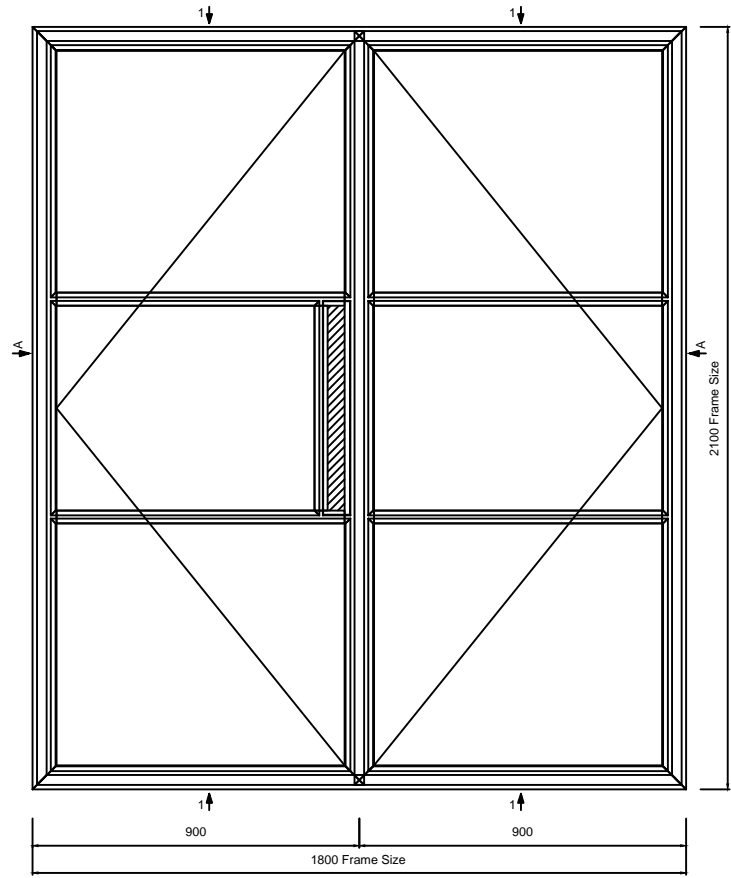
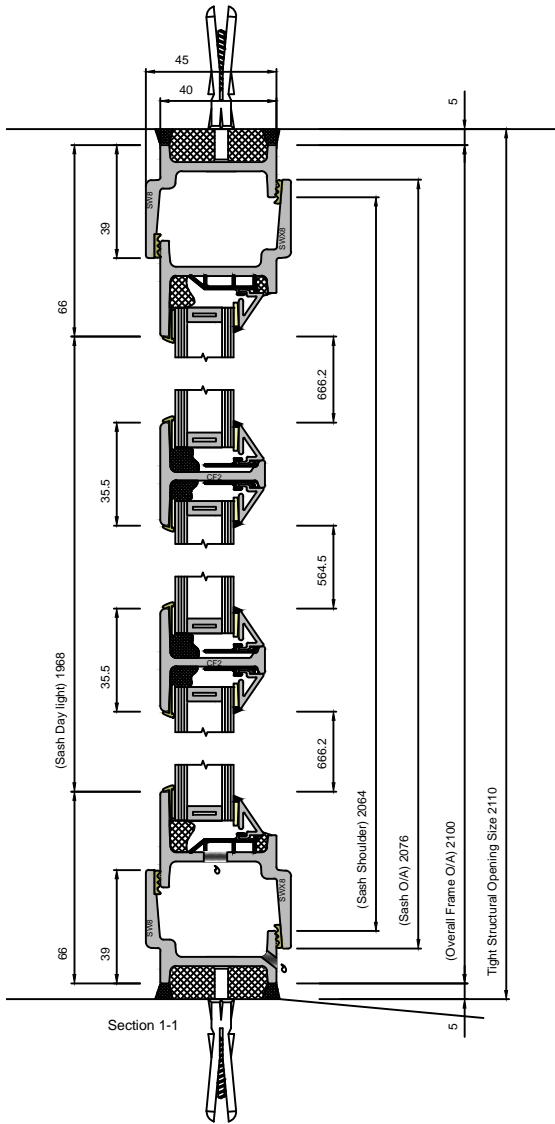


# EB20 SINGLEPOINT LOCKING OPEN OUT DOUBLE DOOR (EQUAL LEG)



	Copyright Reserved 2024, Clement Windows Group Ltd This product is protected by the provisions of the Copyright, Design & Patents Act 1988	DRAWING TITLE:	EB20 S.P. LOCKING DOOR	DRAWING No.:	EB2015
	EMAIL: <a href="mailto:info@clementwg.co.uk">info@clementwg.co.uk</a> WEBSITE: <a href="http://www.clementwindows.co.uk">www.clementwindows.co.uk</a> DETAILS SUBJECT TO CHANGE WITHOUT NOTICE	DATE: 12/09/2023	CLIENT:		REVISION:
	SCALE @ A4: 1:2.5 & 1:20				