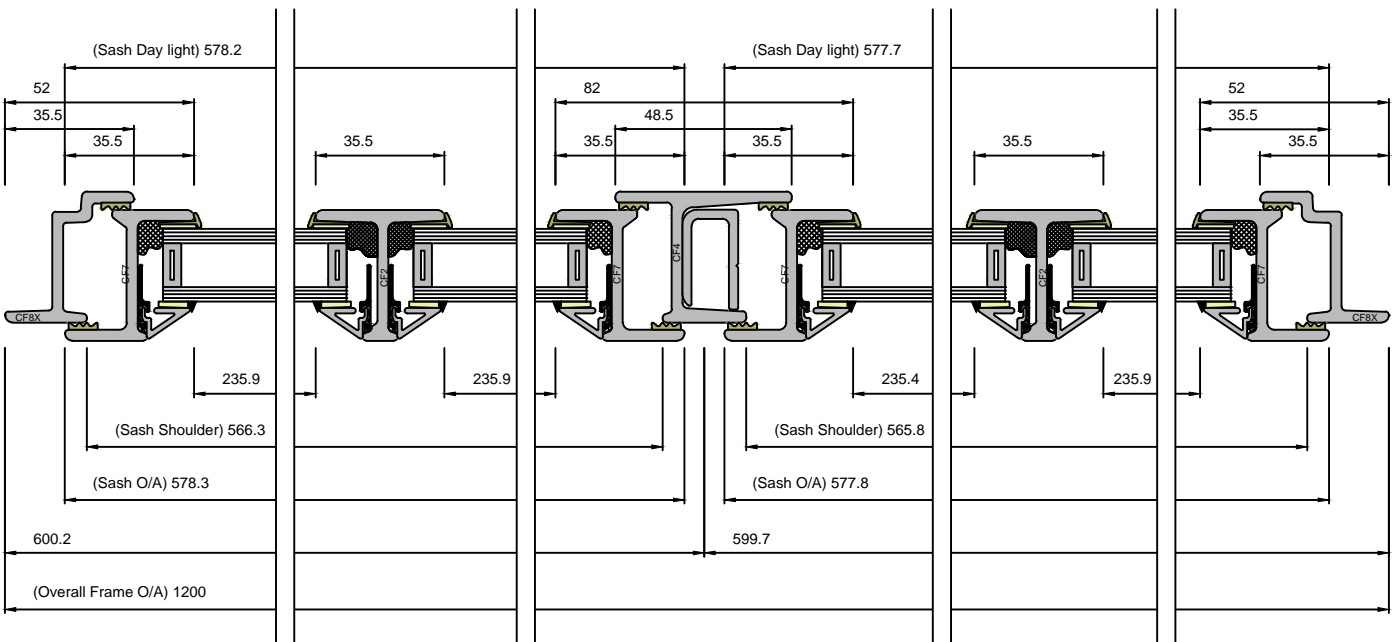
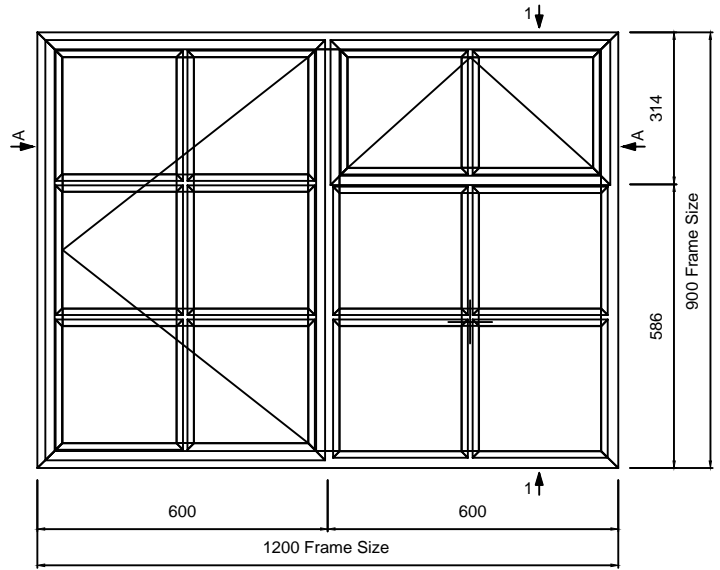
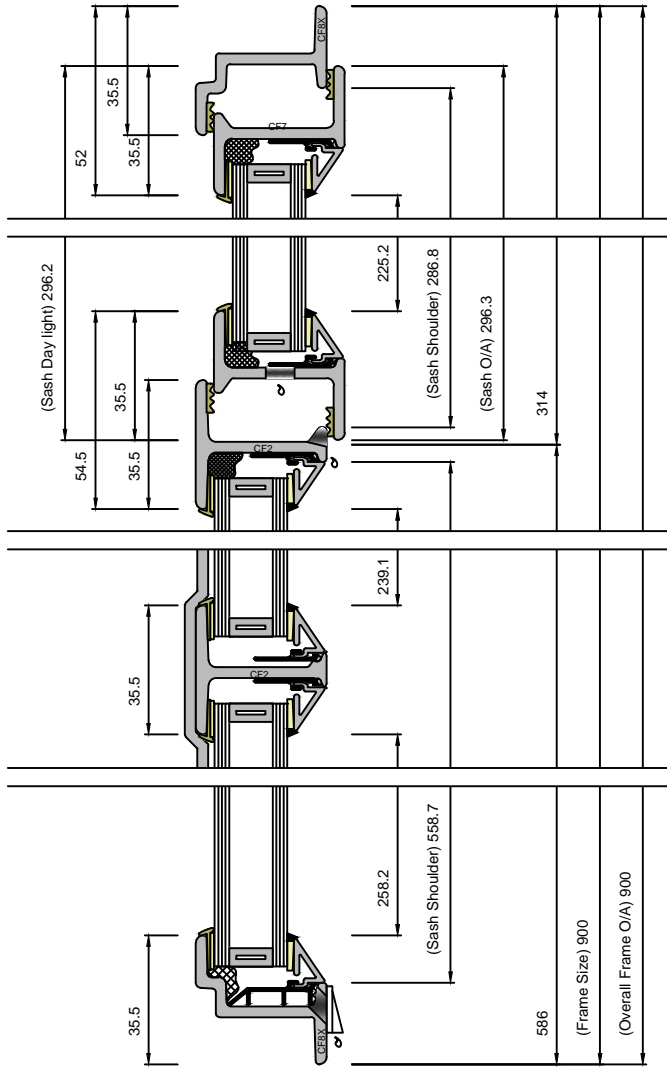


EB20 WINDOW CASEMENT NEXT TO TOP HUNG OVER FIXED LIGHT SECTIONS WITH FENESTRA T-BAR



TEE BARS ALSO AVAILABLE WITH FLUSH JOINT

	Copyright Reserved 2024, Clement Windows Group Ltd This product is protected by the provisions of the Copyright, Design & Patents Act 1988	DRAWING TITLE: EB20 TEE BAR & MULLION	DRAWING No. EB205
	EMAIL: info@clementwg.co.uk WEBSITE: www.clementwindows.co.uk DETAILS SUBJECT TO CHANGE WITHOUT NOTICE	DATE: 06/09/2023 SCALE @ A4: 1:2 & 1:15	CLIENT: