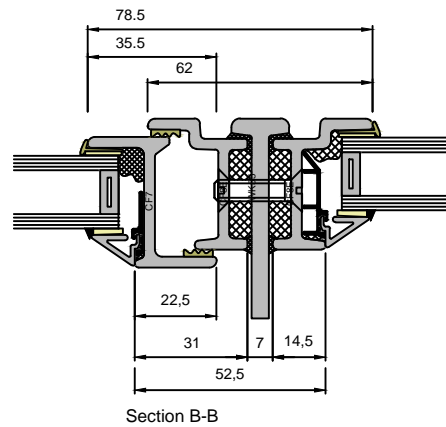
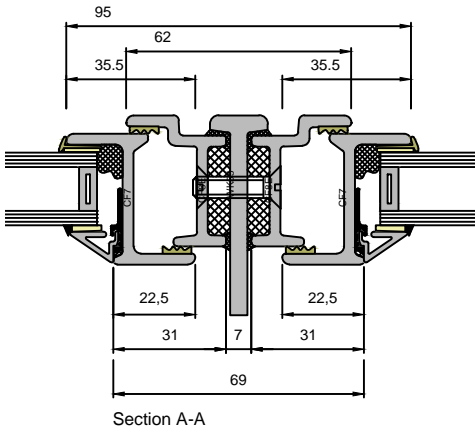
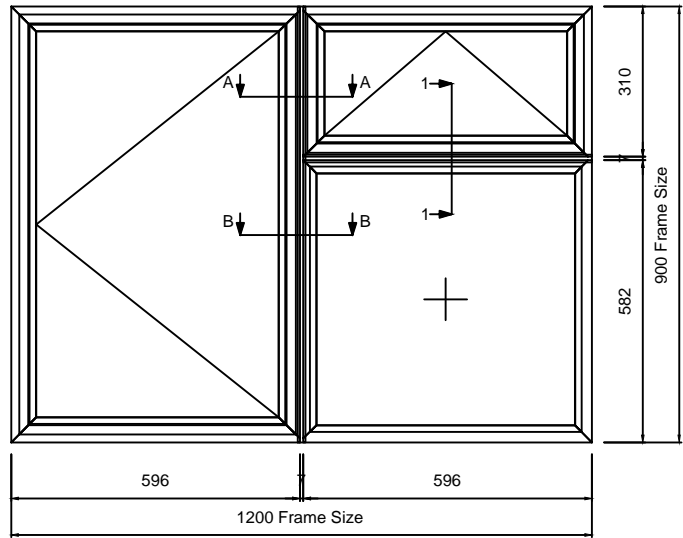
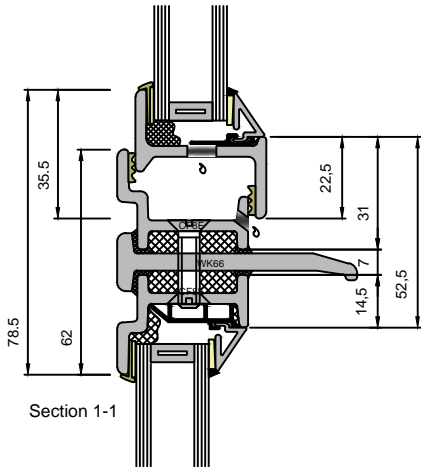


EB20 COUPLING WINDOW SECTIONS



CLEMENT
creating light... beautifully

Copyright Reserved 2024,
Clement Windows Group Ltd
This product is protected by the provisions of the Copyright, Design & Patents Act 1988

EMAIL: info@clementwg.co.uk
WEBSITE: www.clementwindows.co.uk

DETAILS SUBJECT TO CHANGE WITHOUT NOTICE

DATE: 06/09/2023

SCALE @ A4: 1:2 & 1:15

DRAWING TITLE:
EB20 COUPLING DETAILS

CLIENT:

DRAWING No.

EB207

REVISION:

A