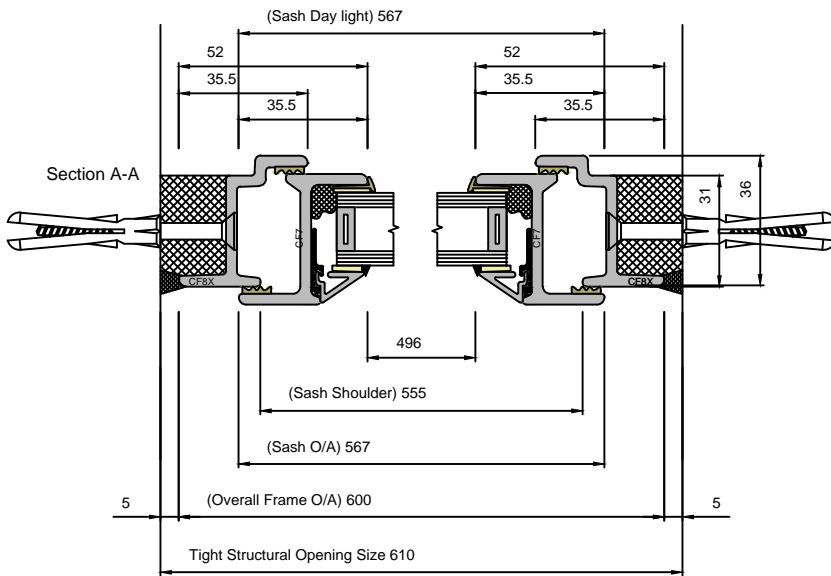
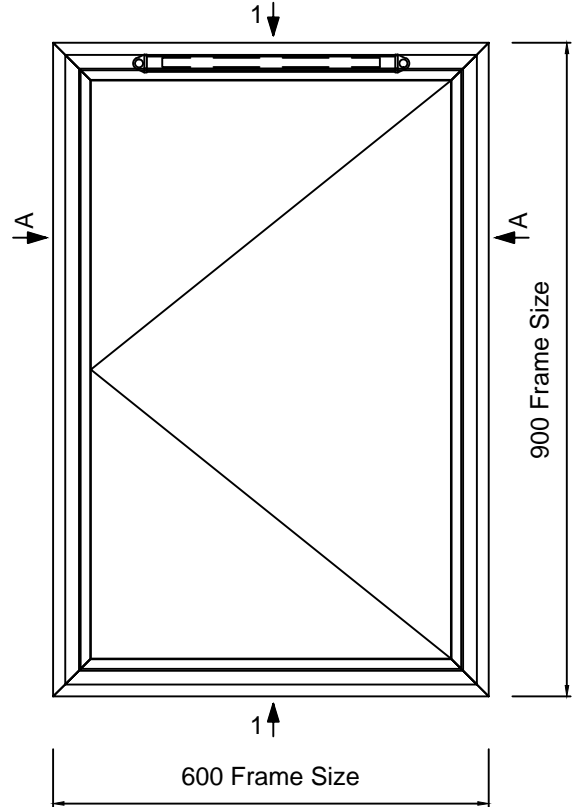
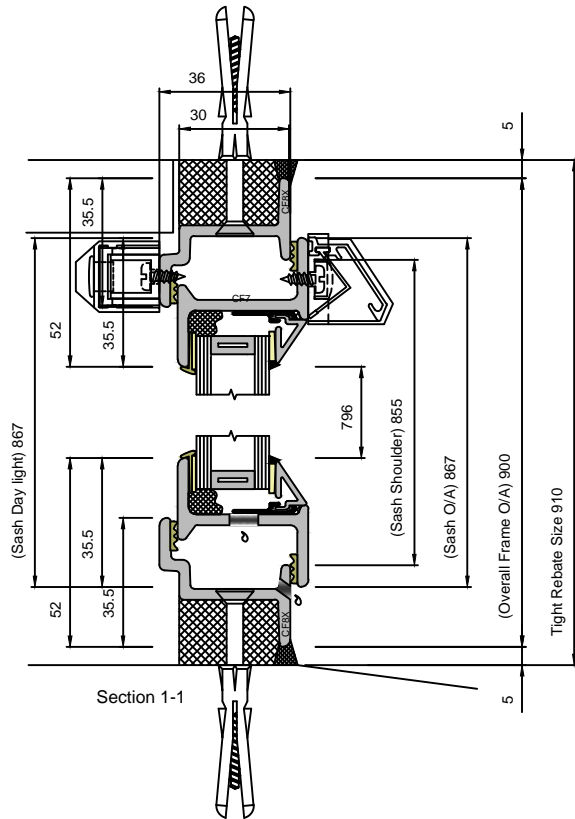


# EB24 LONG LEG WINDOW CASEMENT WITH TRICKLEVENT SECTIONS

DOUBLE GLAZED UNIT SIZE = 20mm



**CLEMENT**  
creating light...beautifully

Copyright Reserved 2024,  
Clement Windows Group Ltd  
This product is protected by the provisions of the Copyright, Design & Patents Act 1988

EMAIL: info@clementwg.co.uk  
WEBSITE: www.clementwindows.co.uk

DETAILS SUBJECT TO CHANGE WITHOUT NOTICE

DATE: 04/09/2023

SCALE @ A4: 1:2 & 1:10

DRAWING TITLE

EB24 CASEMENT TRICKLEVENT

CLIENT

DRAWING No.

EB218

REVISION

A