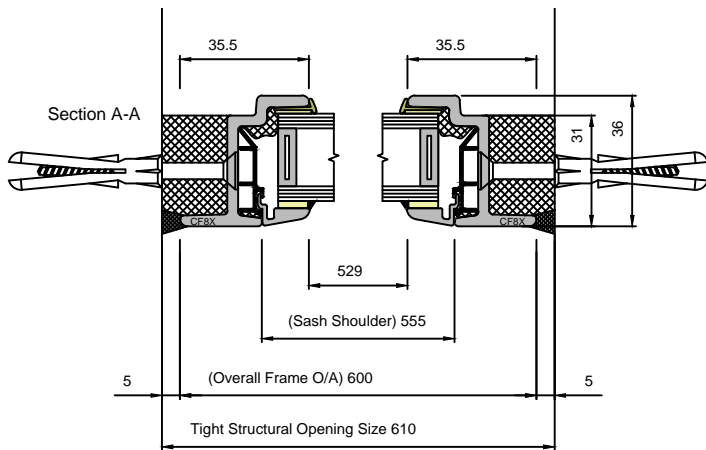
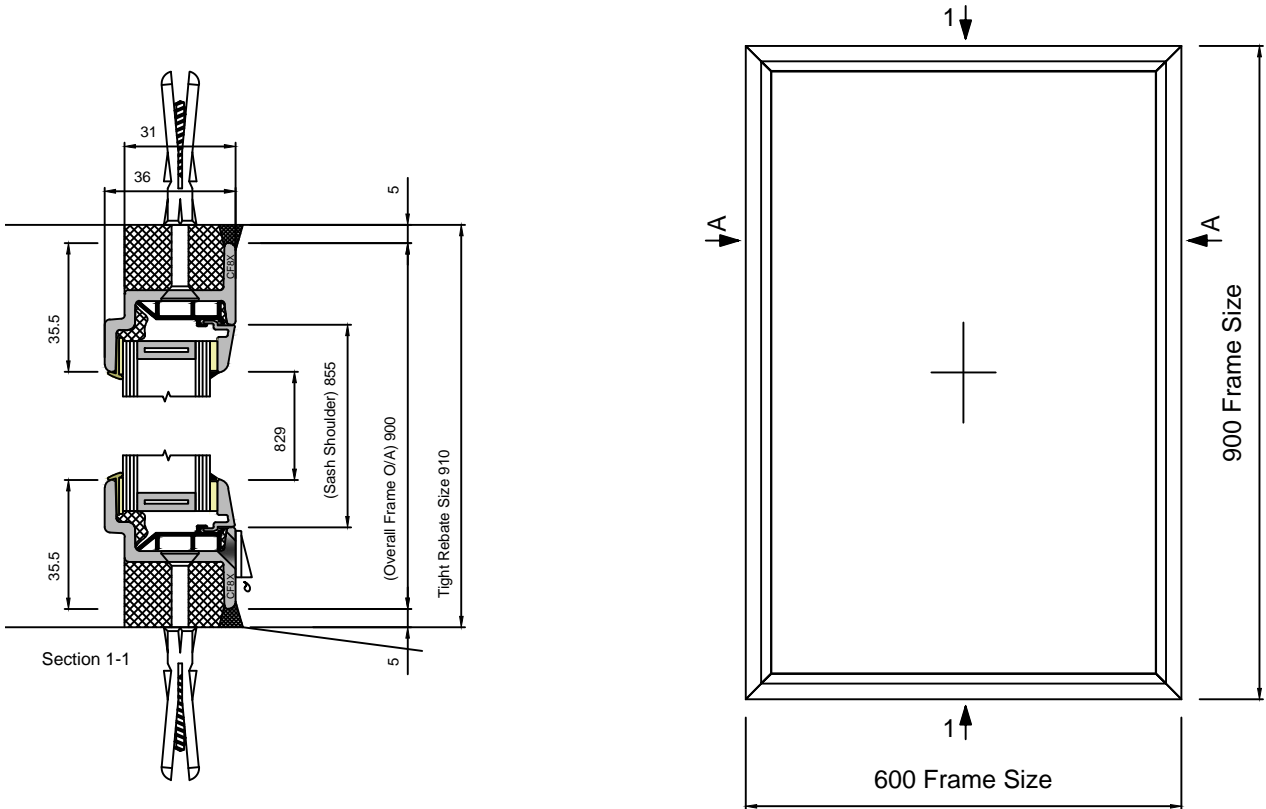


EB24 LONG LEG WINDOW FIXED LIGHT SECTIONS

DOUBLE GLAZED UNIT SIZE = 24mm



	Copyright Reserved 2024, Clement Windows Group Ltd This product is protected by the provisions of the Copyright, Design & Patents Act 1988	DRAWING TITLE: EB24 LL FIXED LIGHT	DRAWING No. EB242
	EMAIL: info@clementwg.co.uk WEBSITE: www.clementwindows.co.uk DETAILS SUBJECT TO CHANGE WITHOUT NOTICE	DATE: 19/09/2023 SCALE @ A4: 1:2 & 1:10	CLIENT: