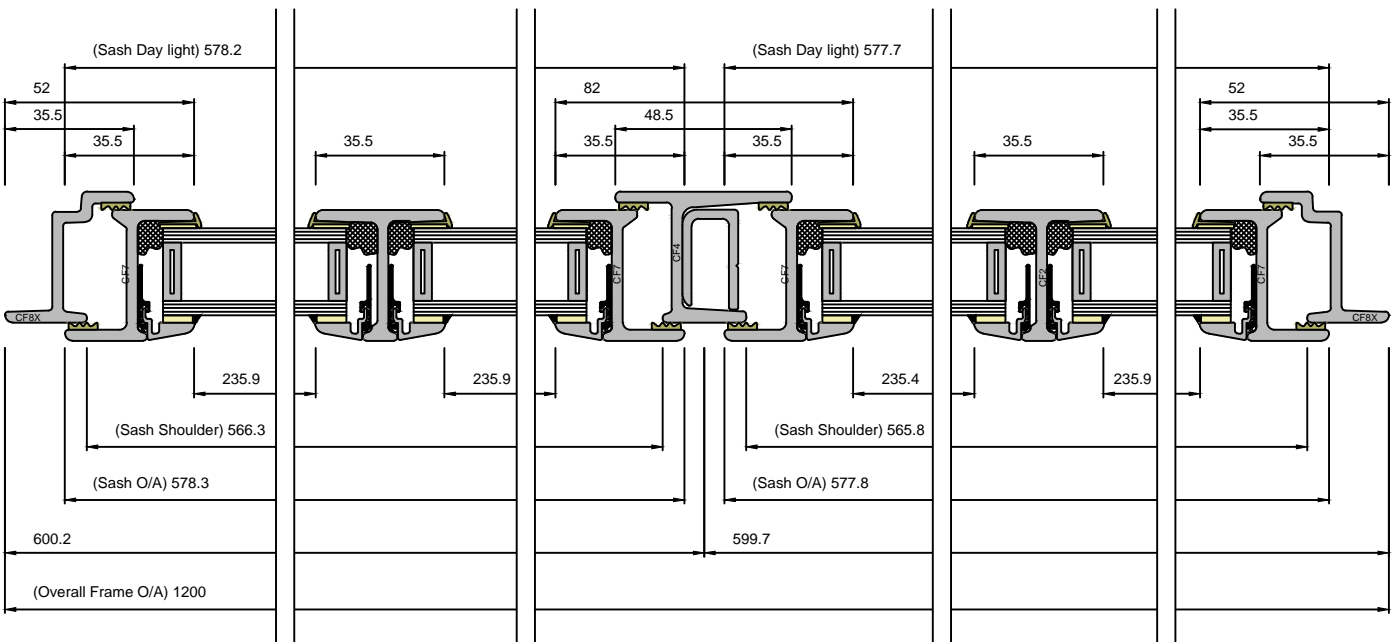
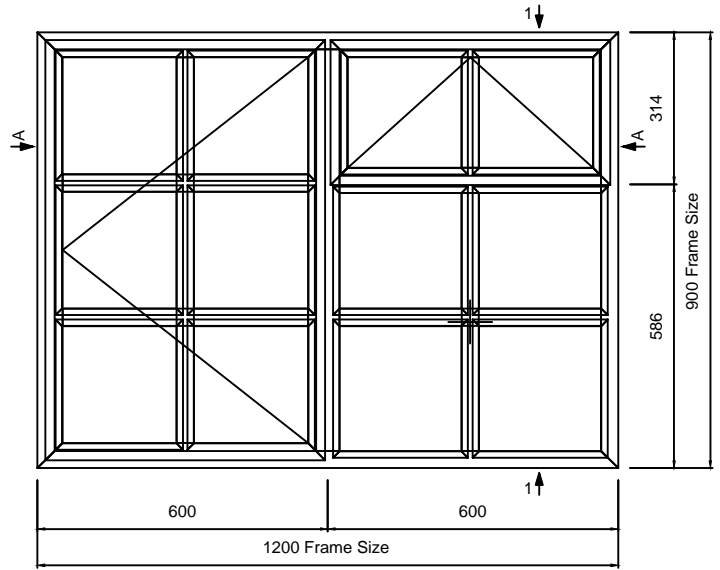
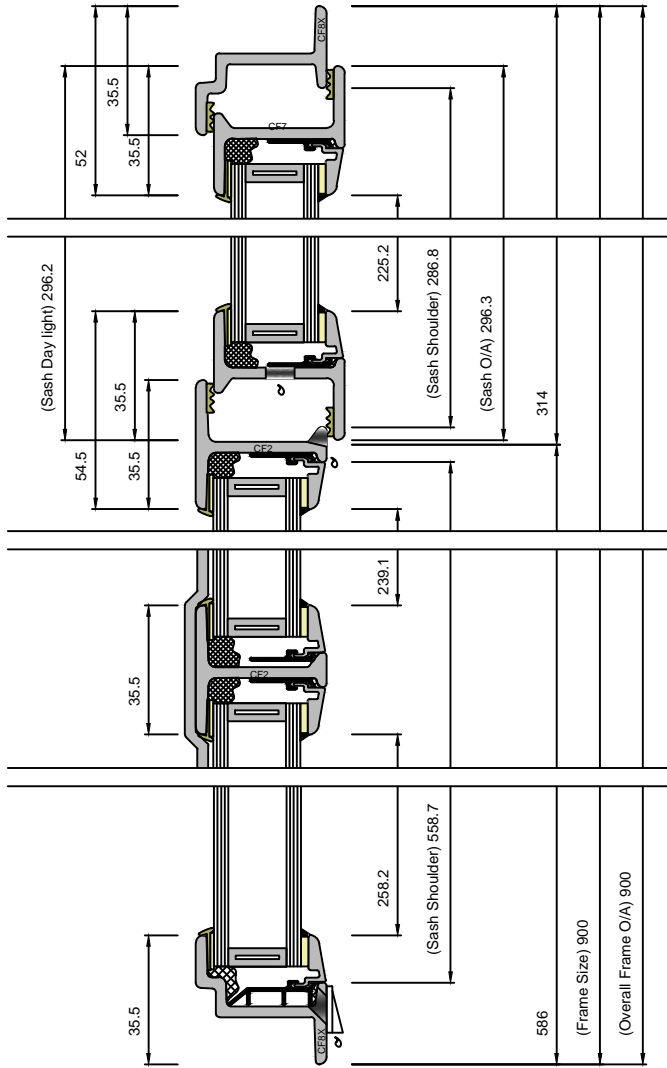


# EB24 WINDOW CASEMENT NEXT TO TOP HUNG OVER FIXED LIGHT SECTIONS WITH FENESTRA T-BAR



TEE BARS ALSO AVAILABLE WITH FLUSH JOINT

	Copyright Reserved 2024, Clement Windows Group Ltd This product is protected by the provisions of the Copyright, Design & Patents Act 1988	DRAWING TITLE: <b>EB24 TEE BAR &amp; MULLION</b>	DRAWING No. <b>EB245</b>
	EMAIL: info@clementwg.co.uk WEBSITE: www.clementwindows.co.uk DETAILS SUBJECT TO CHANGE WITHOUT NOTICE	DATE: 19/09/2023 SCALE @ A4: 1:2 & 1:15	CLIENT: