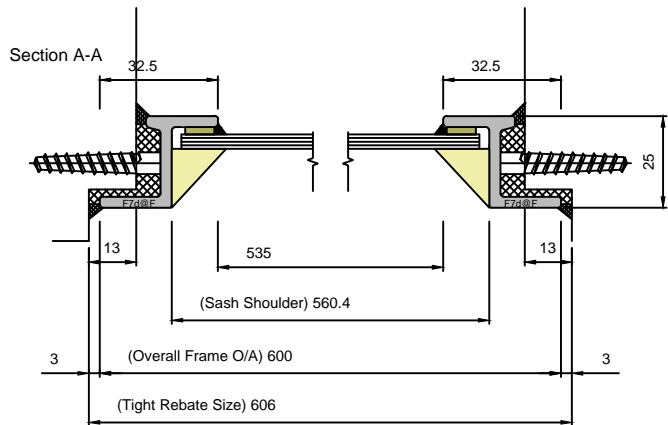
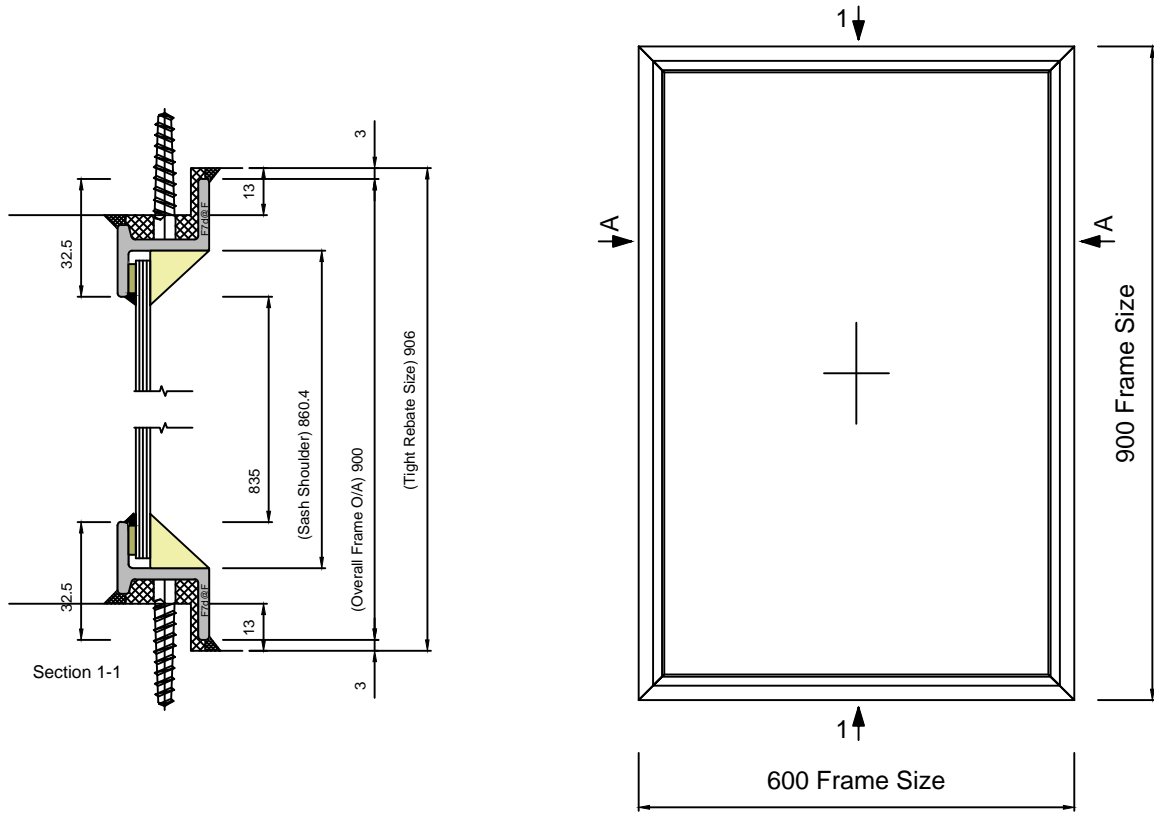



SMW LONG LEG WINDOW FIXED LIGHT SECTIONS

SINGLE GLAZED GLASS SIZE = 4mm

WINDOW DEPTH = 25mm



	Copyright Reserved 2024, Clement Windows Group Ltd This product is protected by the provisions of the Copyright, Design & Patents Act 1988		DRAWING TITLE: SMW LL FIXED LIGHT	DRAWING No. A02
	EMAIL: info@clementwg.co.uk WEBSITE: www.clementwindows.co.uk	DATE: 03/05/24	CLIENT:	REVISION: A
DETAILS SUBJECT TO CHANGE WITHOUT NOTICE		SCALE @ A4: 1:2 & 1:10		