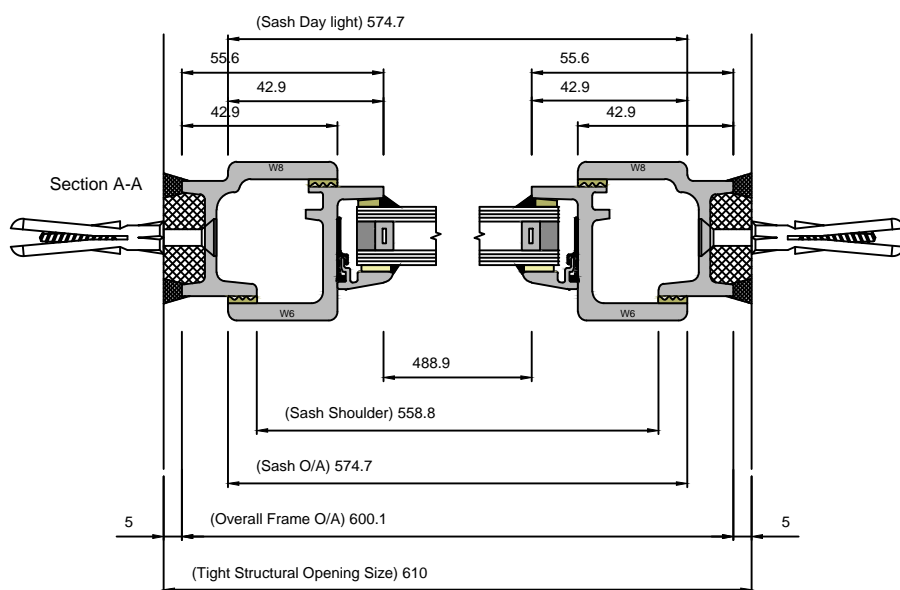
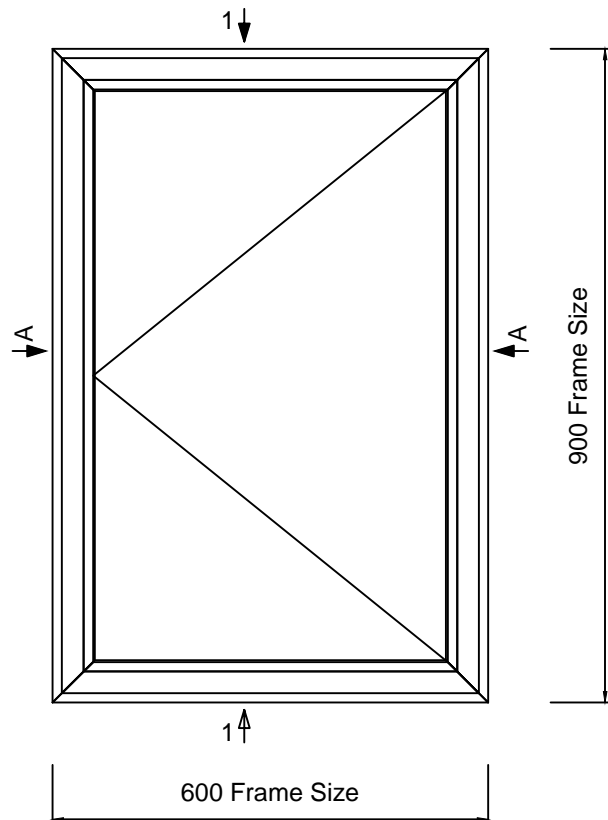
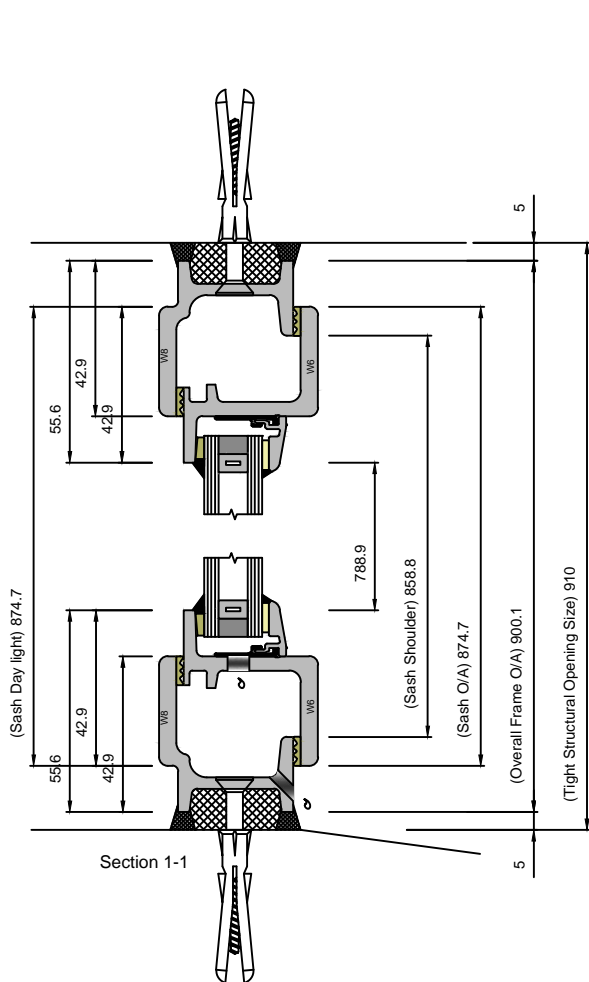


# W20 EQUAL LEG WINDOW CASEMENT SECTIONS

DOUBLE GLAZED UNIT SIZE = 16mm  
WINDOW DEPTH = 43mm



Copyright Reserved 2024,  
Clement Windows Group Ltd  
This product is protected by the provisions of the Copyright, Design & Patents Act 1988

EMAIL: [info@clementwg.co.uk](mailto:info@clementwg.co.uk)  
WEBSITE: [www.clementwindows.co.uk](http://www.clementwindows.co.uk)

DATE: 16/04/24

SCALE @ A4: 1:2 & 1:10

DETAILS SUBJECT TO CHANGE WITHOUT NOTICE

DRAWING TITLE:  
**W20 EL CASEMENT**

CLIENT:

DRAWING No.  
**W203**

REVISION:  
**A**