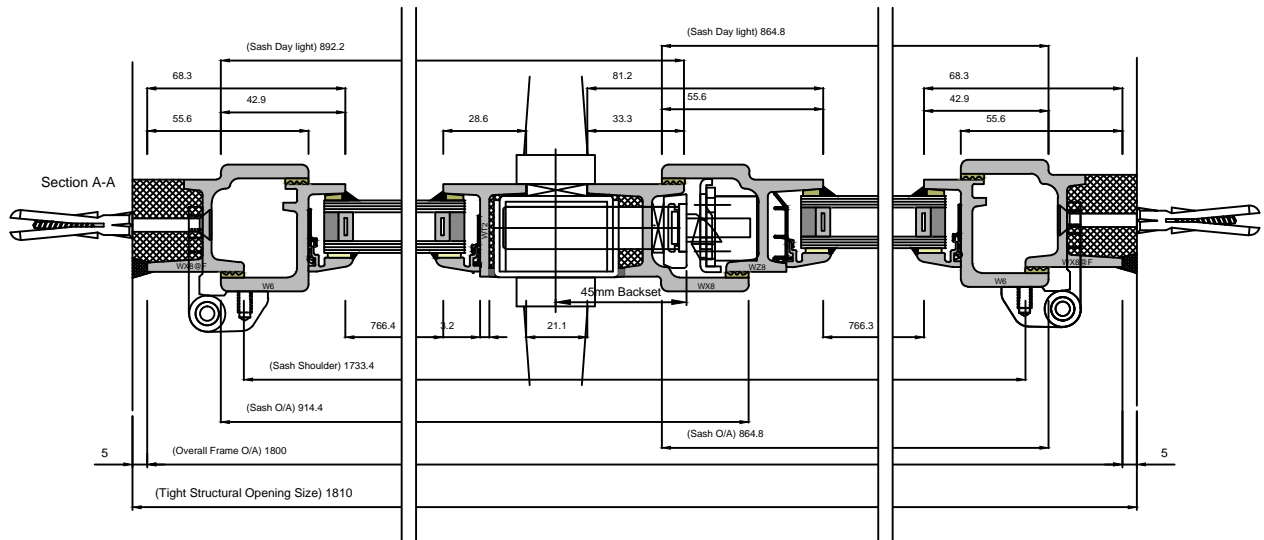
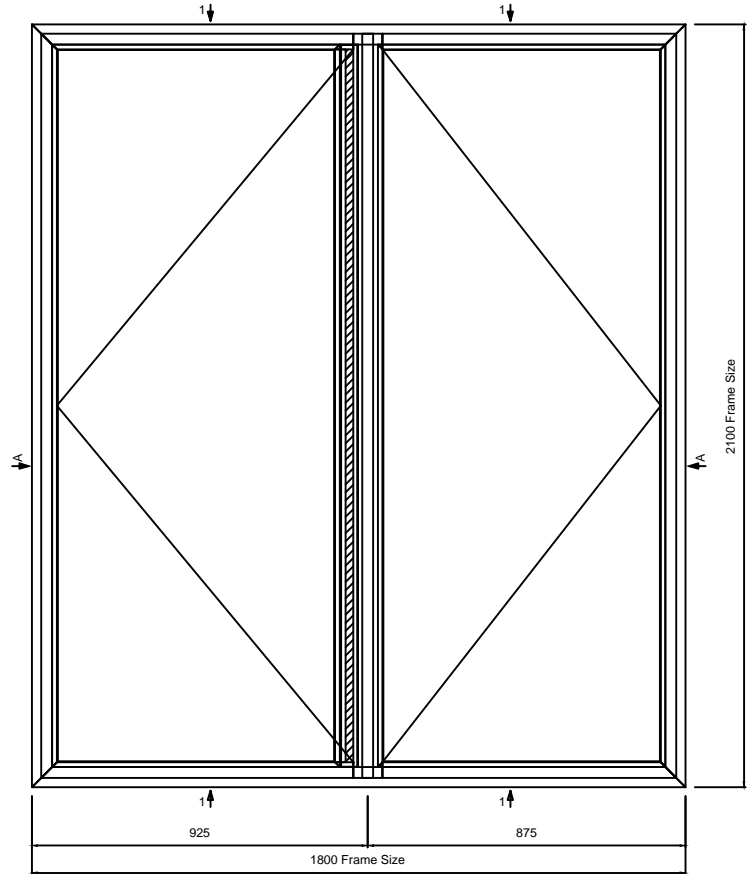
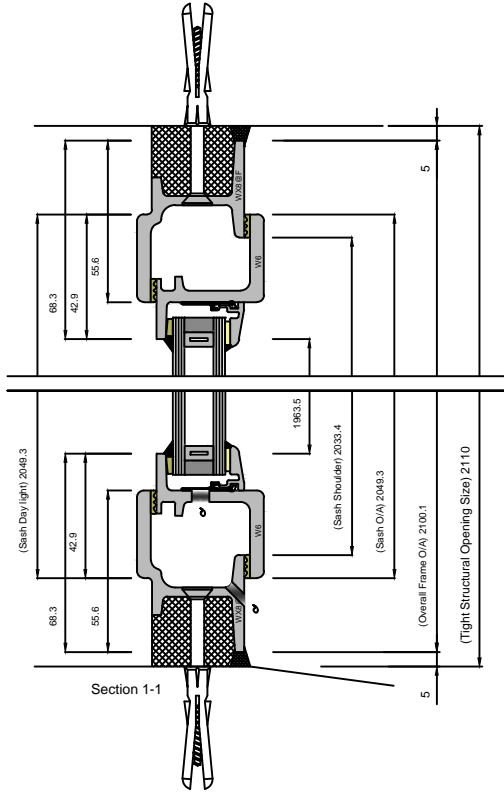



W20 MULTIPOINT LOCKING FULL HEIGHT SYSTEM



	Copyright Reserved 2024, Clement Windows Group Ltd This product is protected by the provisions of the Copyright, Design & Patents Act 1988	DRAWING TITLE: W20 MULTIPOINT LOCKING	DRAWING No. W2020
	EMAIL: info@clementwg.co.uk WEBSITE: www.clementwindows.co.uk DETAILS SUBJECT TO CHANGE WITHOUT NOTICE	DATE: 16/04/24 SCALE @ A4: 1:2.5 & 1:20	CLIENT: