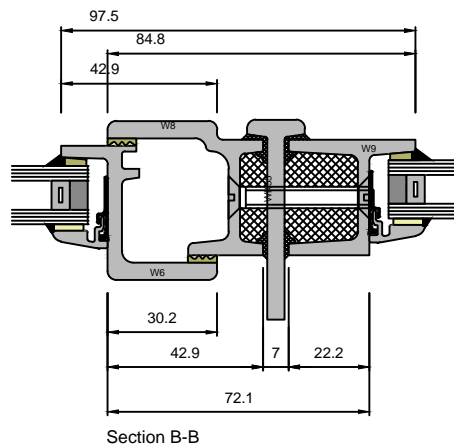
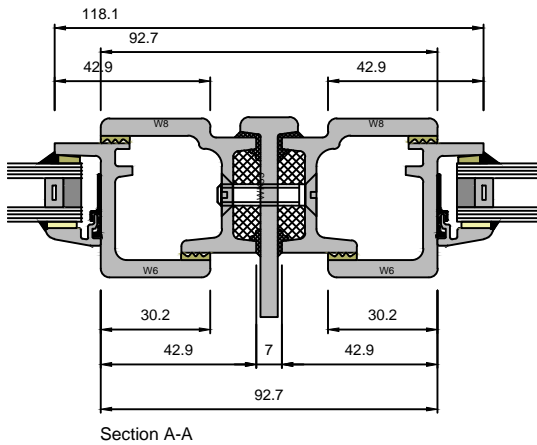
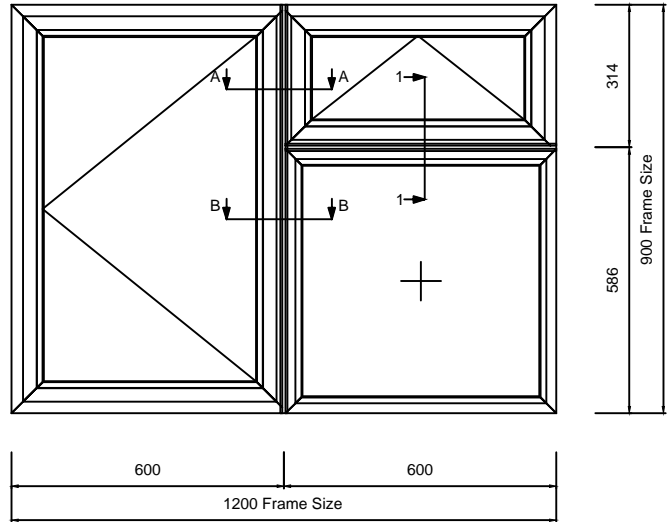
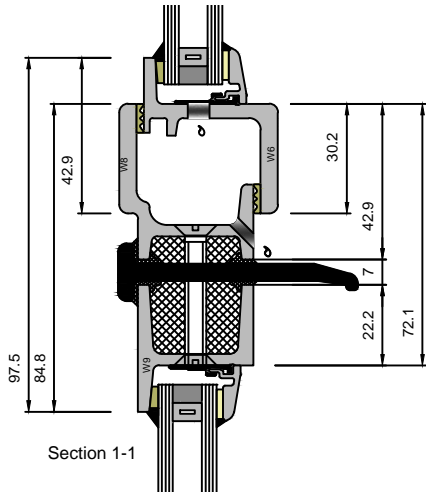


# W20 COUPLING WINDOW SECTIONS



	Copyright Reserved 2024, Clement Windows Group Ltd This product is protected by the provisions of the Copyright, Design & Patents Act 1988	DRAWING TITLE: <b>W20 COUPLING DETAILS</b>	DRAWING No. <b>W207</b>	
	EMAIL: <a href="mailto:info@clementwg.co.uk">info@clementwg.co.uk</a> WEBSITE: <a href="http://www.clementwindows.co.uk">www.clementwindows.co.uk</a>	DATE: 16/04/24	CLIENT:	REVISION:
	DETAILS SUBJECT TO CHANGE WITHOUT NOTICE	SCALE @ A4: 1:2 & 1:16		<b>A</b>