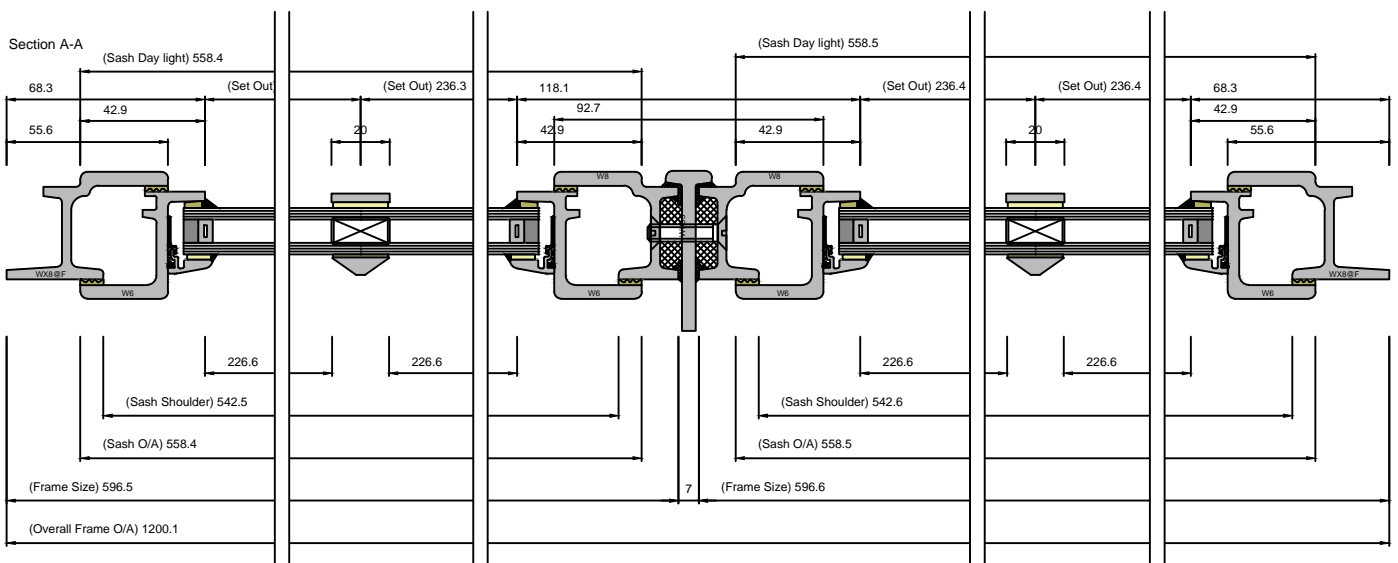
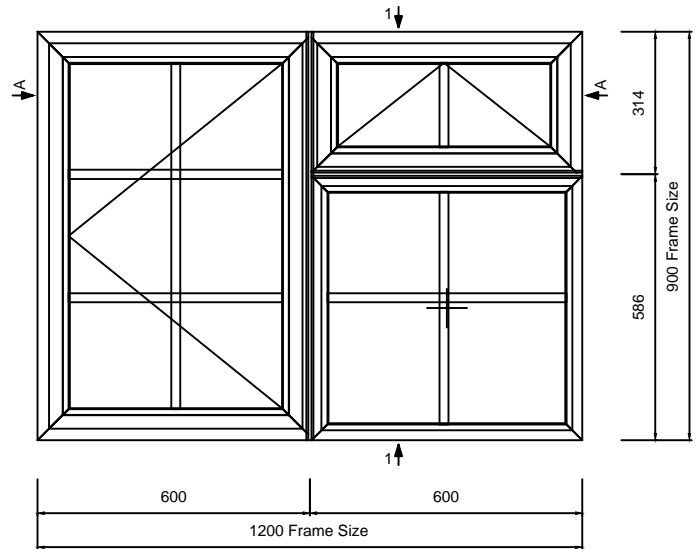
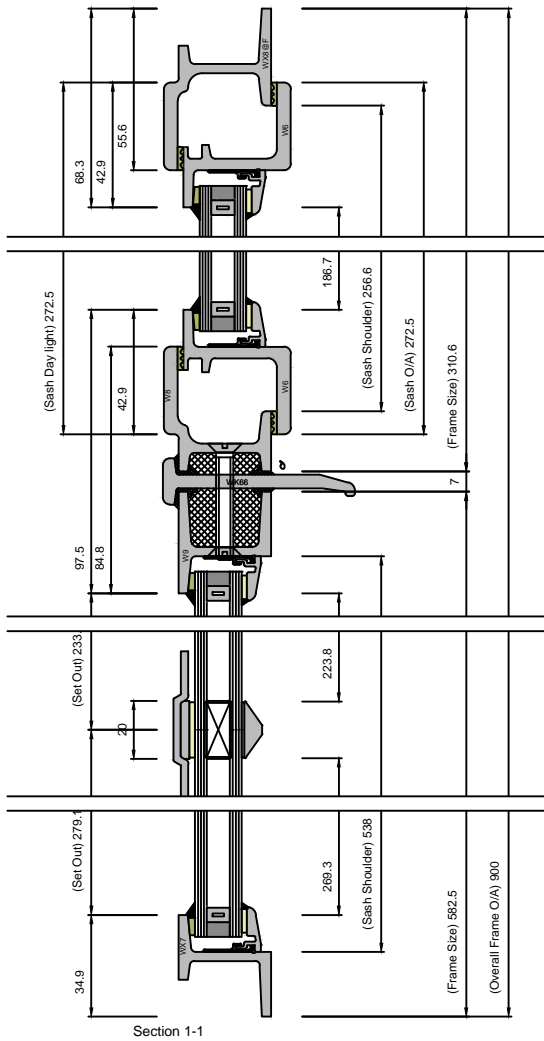


W20 WINDOW CASEMENT NEXT TO TOP HUNG OVER FIXED LIGHT SECTIONS WITH FENESTRA G+S AND COUPLING



	Copyright Reserved 2024, Clement Windows Group Ltd This product is protected by the provisions of the Copyright, Design & Patents Act 1988	DRAWING TITLE: W20 G+S & COUPLING DETAILS	DRAWING No. W206
	EMAIL: info@clementwg.co.uk WEBSITE: www.clementwindows.co.uk	DATE: 16/04/24 SCALE @ A4: 1:2.5 & 1:16	CLIENT:
DETAILS SUBJECT TO CHANGE WITHOUT NOTICE			