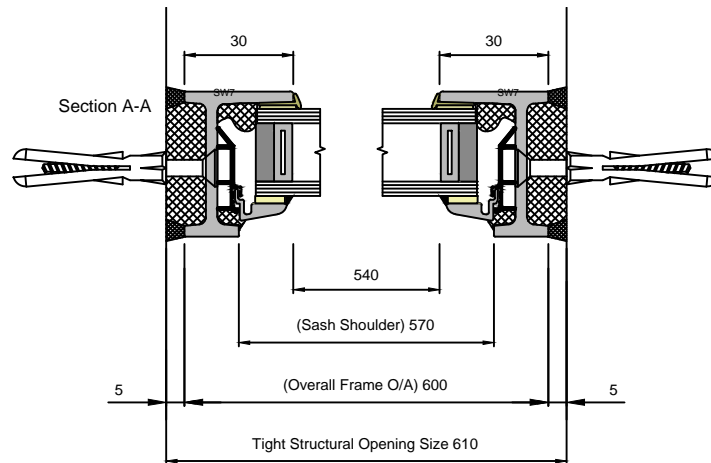
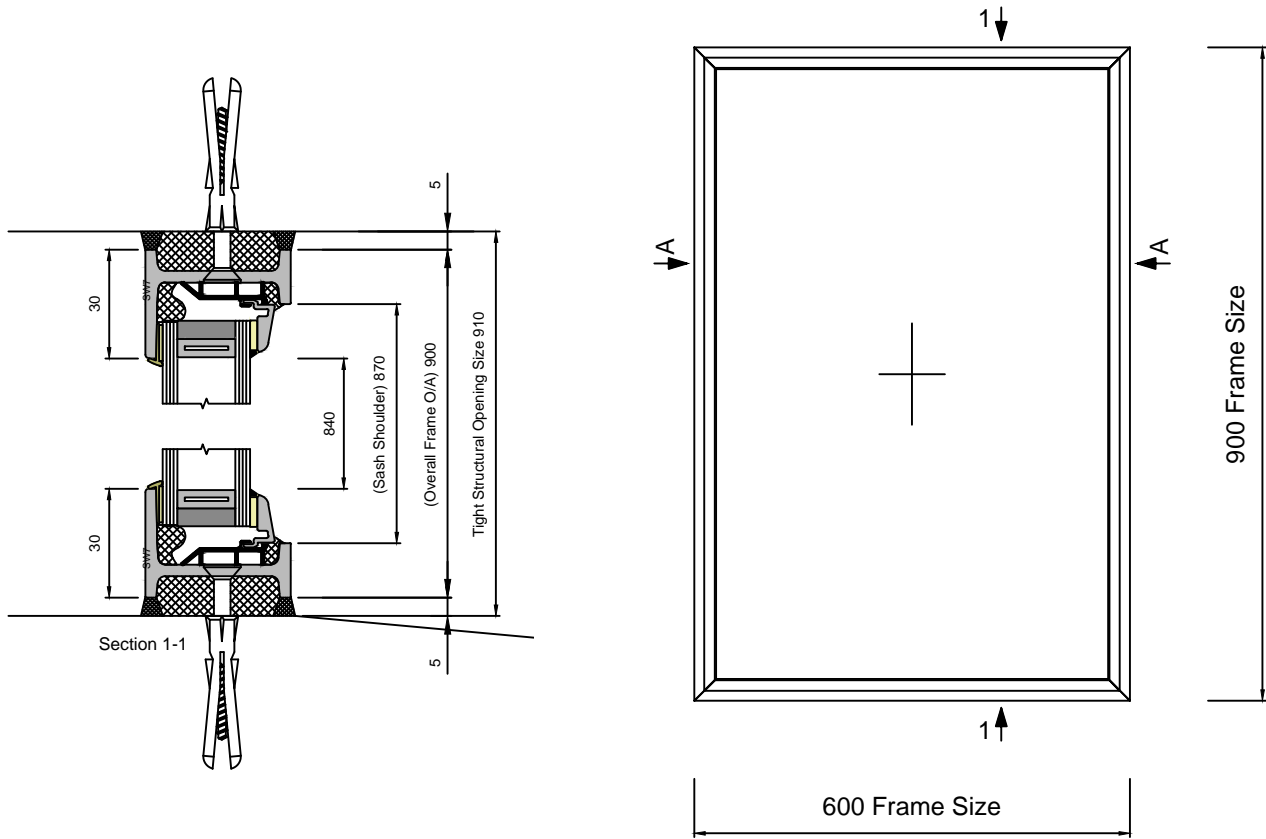


W40 EQUAL LEG WINDOW FIXED LIGHT SECTIONS

DOUBLE GLAZED UNIT SIZE = 24mm



CLEMENT®
creating lights...beautifully

Copyright Reserved 2024,
Clement Windows Group Ltd
This product is protected by the provisions of the Copyright, Design & Patents Act 1988

EMAIL: info@clementwg.co.uk
WEBSITE: www.clementwindows.co.uk

DETAILS SUBJECT TO CHANGE WITHOUT NOTICE

DATE: 14/11/2023

SCALE @ A4: 1:2 & 1:10

DRAWING TITLE:
W40 EL FIXED LIGHT

CLIENT:

DRAWING No.

W404

REVISION:

A