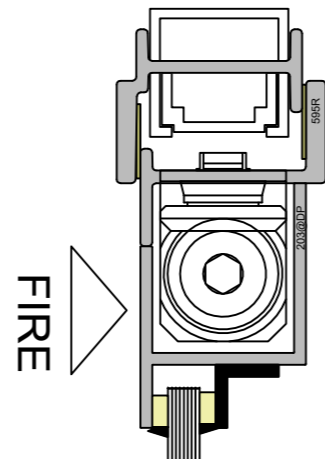
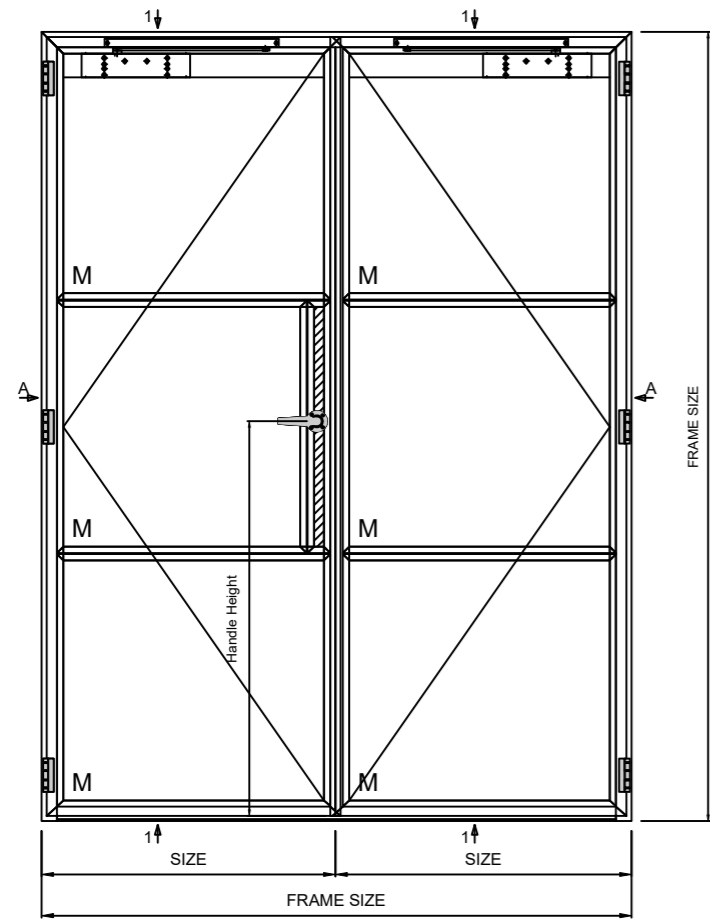
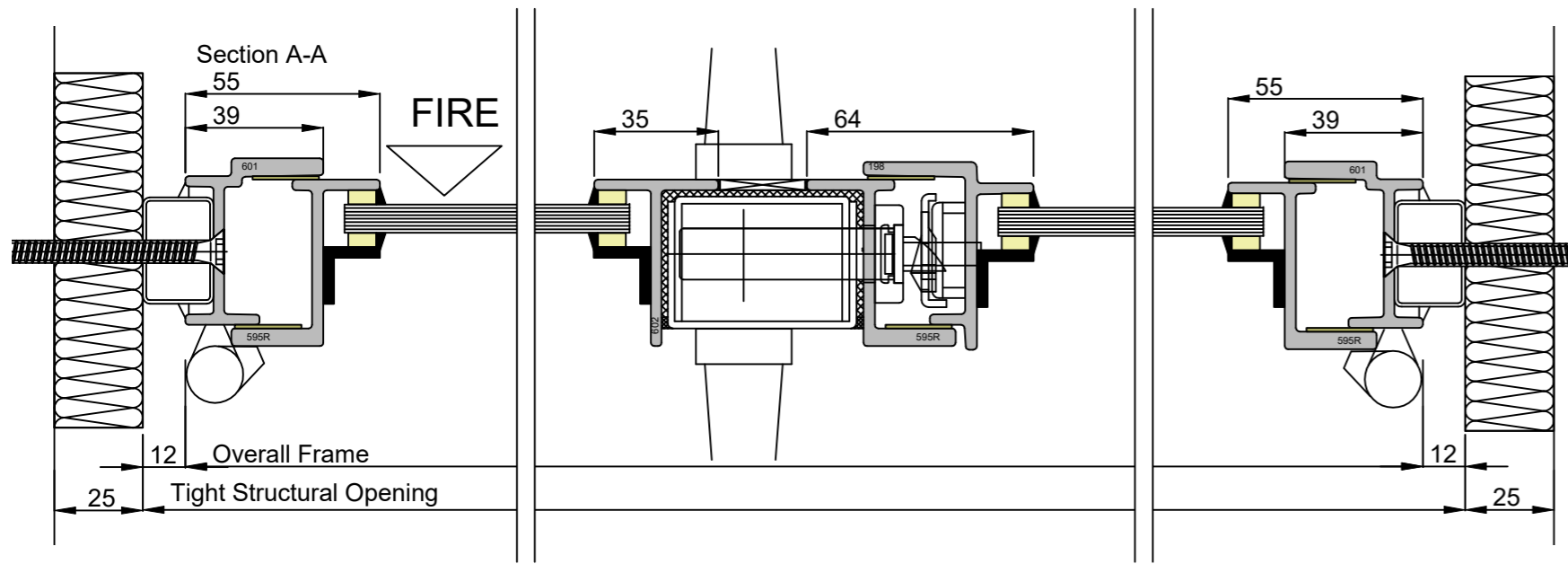
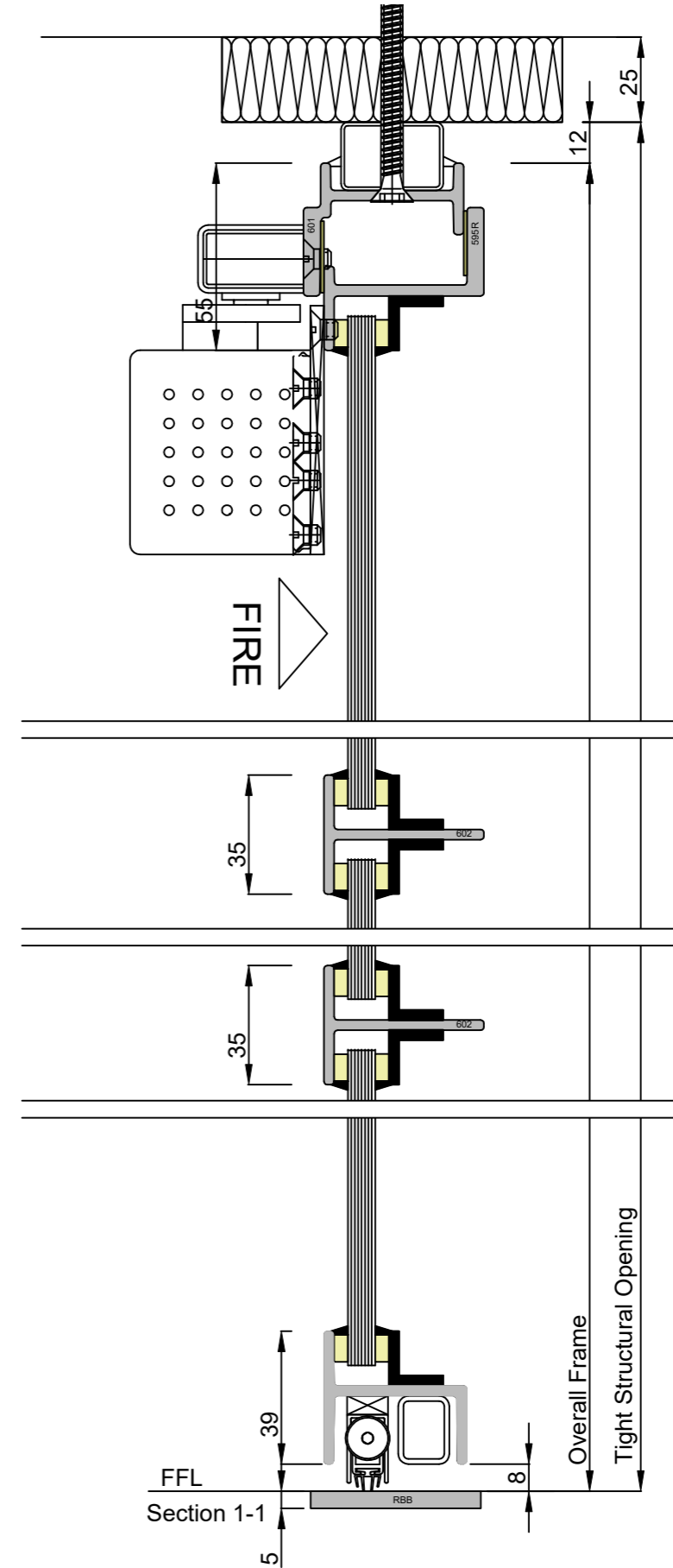


# W40-F02 FIRE RATED DOUBLE DOOR



Alternative head detail with concealed door closer



	Copyright Reserved 2026. CLEMENT WINDOWS GROUP LTD This product is protected by the provisions of the Copyright, Design & Patents Act 1988		DRAWING TITLE: W40-F02 FIRE RATED DOUBLE DOOR	DRAWING No. W40-F02
	EMAIL: info@clementwg.co.uk WEBSITE: www.clementwindows.co.uk DETAILS SUBJECT TO CHANGE WITHOUT NOTICE	DATE: JULY 2026 SCALE: 1:20 & 1:2	30 MIN FIRE RESISTANT & 60 MINUTES FIRE RESISTANCE WHEN GLAZED WITH 14.4mm PYROGUARD	