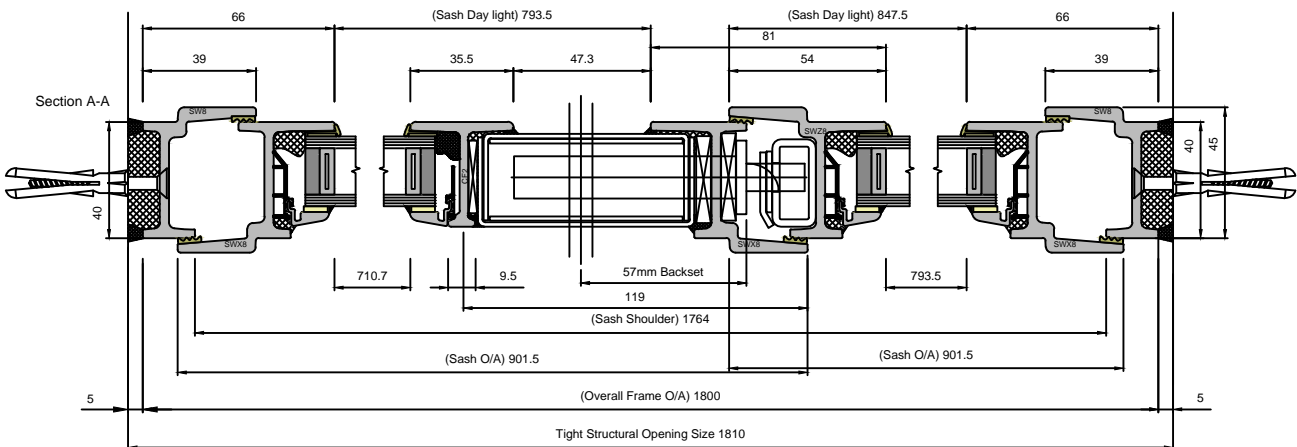
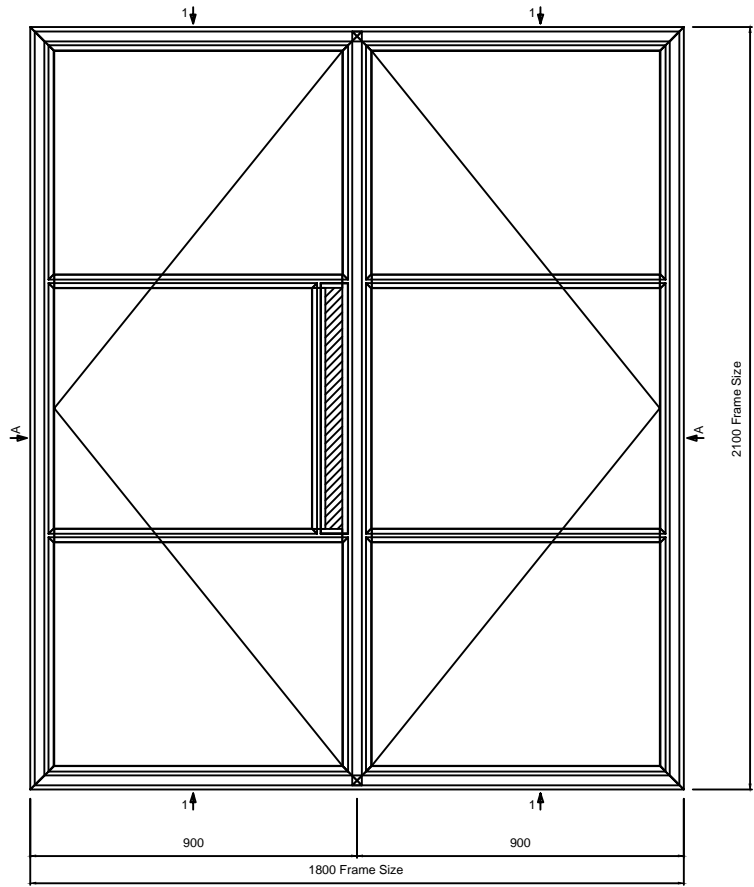
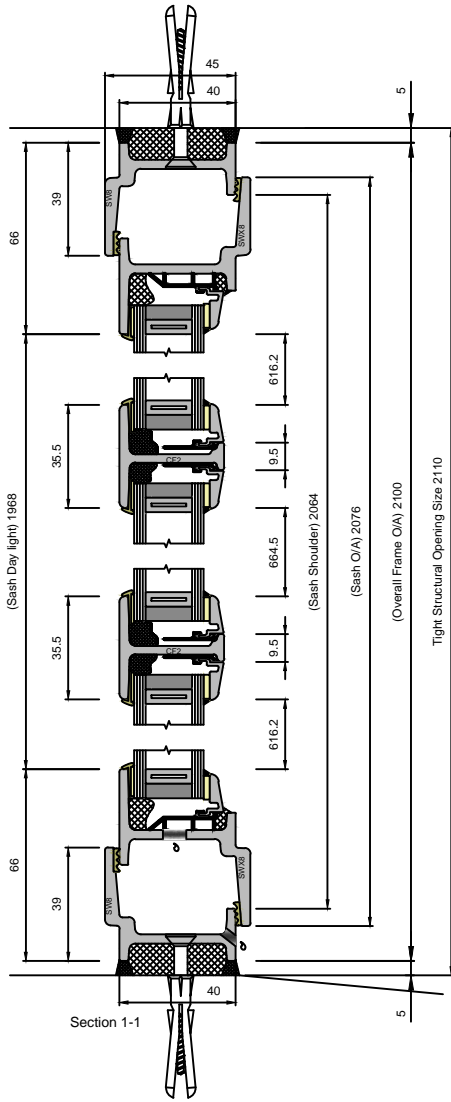


W40 OPEN OUT DOUBLE DOOR EQUAL LEG

DOUBLE GLAZED UNIT SIZE = 24mm



CLEMENT
creating light...beautifully

Copyright Reserved 2024,
Clement Windows Group Ltd
This product is protected by the provisions of the Copyright, Design & Patents Act 1988

EMAIL: info@clementwg.co.uk
WEBSITE: www.clementwindows.co.uk

DETAILS SUBJECT TO CHANGE WITHOUT NOTICE

DATE: 17/11/2023

SCALE @ A4: 1:2.5 & 1:20

DRAWING TITLE

W40 OPEN OUT DOUBLE DOOR EL

CLIENT

DRAWING No.

W4011

REVISION

A