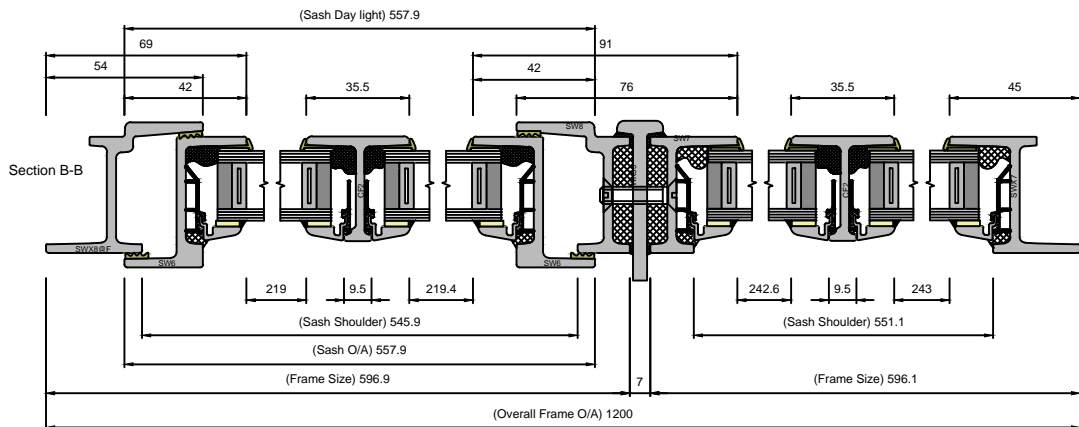
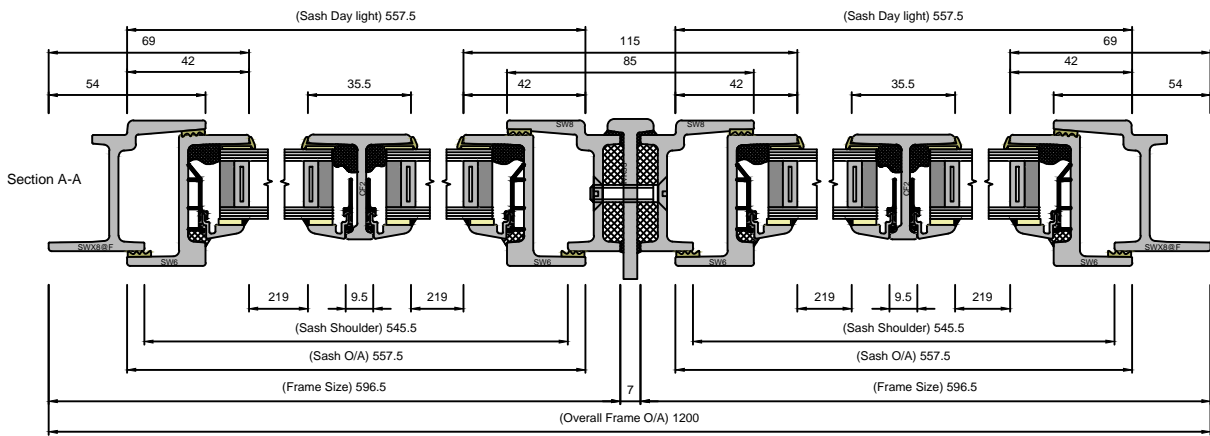
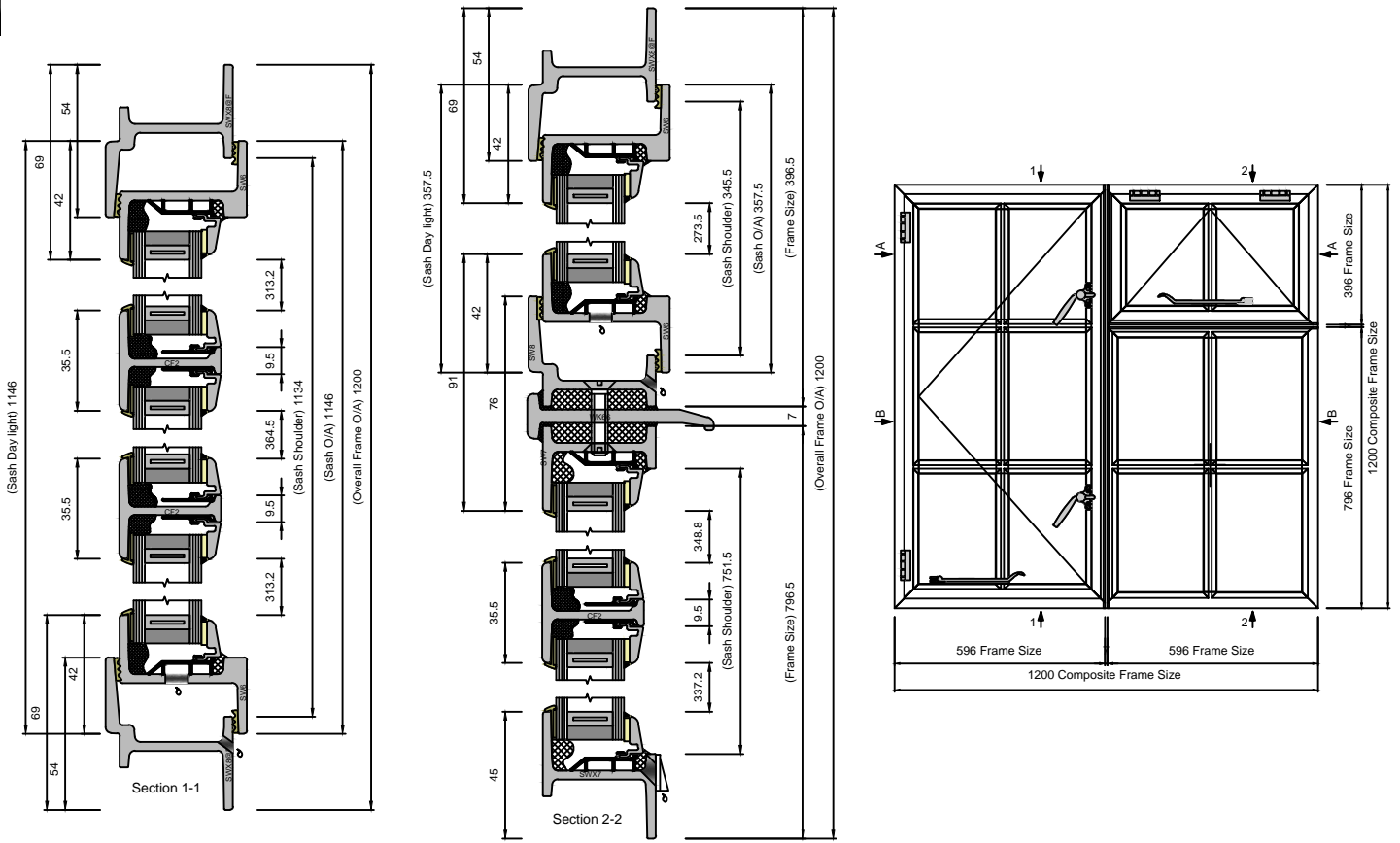


# W40 WINDOW CASEMENT NEXT TO TOP HUNG OVER FIXED LIGHT SECTIONS



**CLEMENT**  
*creating light... beautifully*

Copyright Reserved 2024,  
 Clement Windows Group Ltd  
 This product is protected by the provisions of the Copyright, Design & Patents Act 1988

EMAIL: info@clementwg.co.uk  
 WEBSITE: www.clementwindows.co.uk

DETAILS SUBJECT TO CHANGE WITHOUT NOTICE

DATE: 14/11/2023

SCALE @ A4: 1:2.5 & 1:20

DRAWING TITLE

W40 T-BAR & COUPLING DETAILS

CLIENT

DRAWING No.

EB05

REVISION

A