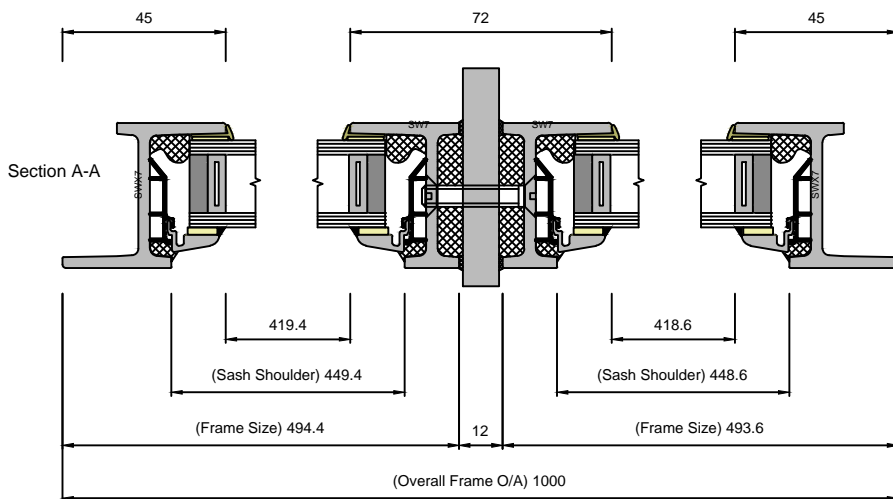
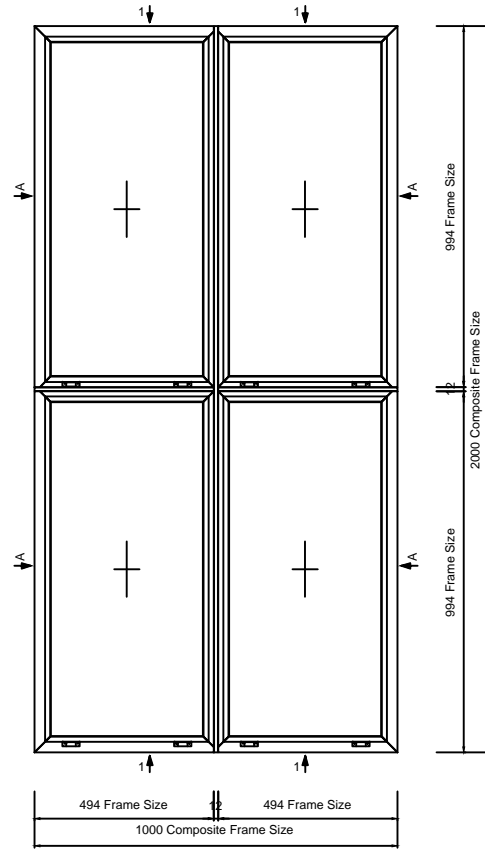
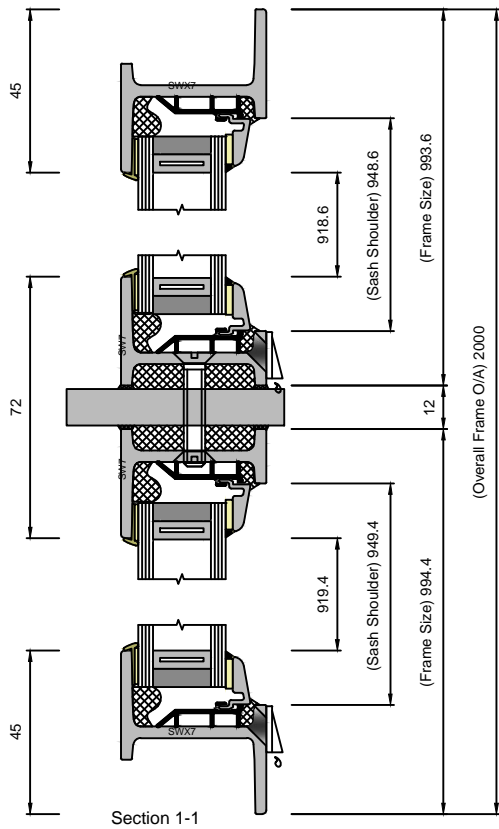


W40 COUPLING WINDOW SECTIONS



	Copyright Reserved 2024, Clement Windows Group Ltd This product is protected by the provisions of the Copyright, Design & Patents Act 1988	DRAWING TITLE: W40 COUPLING DETAILS	DRAWING No. W406
	EMAIL: info@clementwg.co.uk WEBSITE: www.clementwindows.co.uk DETAILS SUBJECT TO CHANGE WITHOUT NOTICE	DATE: 14/11/2023 SCALE @ A4: 1:2 & 1:20	CLIENT: